

Daikin Altherma low temperature monobloc Technical data book

EBLA09-16D(3)W1 / EBLA09-16D(3)V3 / EDLA09-16D(3)W1 / EDLA09-16D(3)V3

EBLA09DAW1
EBLA11DAW1
EBLA14DAW1
EBLA16DAW1
EBLA09DAV3
EBLA11DAV3
EBLA14DAV3
EBLA16DAV3
EBLA09DA3W1
EBLA11DA3W1
EBLA14DA3W1
EBLA16DA3W1
EBLA09DA3V3
EBLA11DA3V3
EBLA14DA3V3
EBLA16DA3V3
EDLA09DAW1
EDLA11DAW1
EDLA14DAW1
EDLA16DAW1
EDLA09DAV3
EDLA11DAV3
EDLA14DAV3
EDLA16DAV3
EDLA09DA3W1
EDLA11DA3W1
EDLA14DA3W1
EDLA16DA3W1
EDLA09DA3V3
EDLA11DA3V3
EDLA14DA3V3
EDLA16DA3V3



TABLE OF CONTENTS

EBLA09-16DW1 / EBLA09-16DV3 /
EBLA09-16D3W1 / EBLA09-16D3V3 /
EDLA09-16DW1 / EDLA09-16DV3 /
EDLA09-16D3W1 / EDLA09-16D3V3

1	Features	5
	EBLA09-16DW1, EBLA09-16DV3	5
	EDLA09-16DW1, EDLA09-16DV3	6
	EBLA09-16D3W1, EBLA09-16D3V3	7
	EDLA09-16D3W1, EDLA09-16D3V3	8
2	Specifications	9
3	Electrical data	57
4	Combination table	58
5	Capacity graphs	59
	Cooling Capacity Graphs	59
	Heating Capacity Graphs	60
6	Capacity tables	61
	Certification Programs	61
7	Dimensional drawings	62
8	Centre of gravity	64
9	Piping diagrams	65
10	Wiring diagrams	67
	Notes & Legend	67
	Control Circuit	68
	Compressor - Notes & Legend	69
	Compressor - Single phase	70
	Compressor - Three phase	71
	Hydro Module - Notes & Legend	72
	Hydro Module - Power Supply, Back-up Heater	73
	Hydro Module - Control Circuit	74
	External back-up heater - Option Circuit	75
11	External connection diagrams	76

12	Installation	77
	Installation Method	77
13	Operation range	78
14	Hydraulic performance	80
	Static Pressure Drop Unit	80

1 Features

1 - 1 EBLA09-16DW1, EBLA09-16DV3

Reversible air to water monobloc system, ideal when indoor space is limited

- › Monobloc all-in-one concept including hydraulic parts
- › W-LAN cartridge connection (optional)
- › Possible to combine with domestic hot water
- › Energy efficient heating and cooling system based on air to water heat pump technology
- › Separate back-up heater kit

1



Daikin
Residential
Controller



Online
controller

1 Features

1 - 2 EDLA09-16DW1, EDLA09-16DV3

Heating only air to water monobloc system, ideal when indoor space is limited

- 1 > Monobloc all-in-one concept including hydraulic parts
- > W-LAN cartridge connection (optional)
- > Possible to combine with domestic hot water

- > Energy efficient heating only system based on air to water heat pump technology
- > Separate back-up heater kit



Daikin
Residential
Controller



Online
controller

1 Features

1 - 3 EBLA09-16D3W1, EBLA09-16D3V3

Reversible air to water monobloc system, ideal when indoor space is limited

- › Monobloc all-in-one concept including hydraulic parts
- › W-LAN cartridge connection (optional)
- › Possible to combine with domestic hot water
- › Energy efficient heating and cooling system based on air to water heat pump technology
- › Built-in electric back-up heater as additional heating during extremely cold outdoor temperature

1



Daikin
Residential
Controller



Online
controller

1 Features

1 - 4 EDLA09-16D3W1, EDLA09-16D3V3

Heating only air to water monobloc system, ideal when indoor space is limited

- 1**
- › Monobloc all-in-one concept including hydraulic parts
 - › W-LAN cartridge connection (optional)
 - › Possible to combine with domestic hot water

- › Energy efficient heating only system based on air to water heat pump technology
- › Built-in electric back-up heater as additional heating during extremely cold outdoor temperature



Daikin
Residential
Controller



Online
controller

2 Specifications

1 - 4 EDLA09-16D3W1, EDLA09-16D3V3

Technical specifications				EBLA09DW1	EBLA11DW1	EBLA14DW1	EBLA16DW1	
Heating capacity	Nom.		kW	9.37 (1) / 9.00 (2)	10.6 (1) / 9.82 (2)	12.0 (1) / 12.5 (2)	16.0 (1) / 16.0 (2)	
Cooling capacity	Nom.		kW	9.35 (3) / 9.10 (4)	11.6 (3) / 11.5 (4)	12.8 (3) / 12.7 (4)	14.0 (3) / 15.3 (4)	
Power input	Cooling	Nom.	kW	2.79 (3) / 1.71 (4)	3.56 (3) / 2.17 (4)	4.06 (3) / 2.51 (4)	4.58 (3) / 3.24 (4)	
	Heating	Nom.	kW	1.91 (1) / 2.43 (2)	2.18 (1) / 2.68 (2)	2.46 (1) / 3.42 (2)	3.53 (1) / 4.56 (2)	
COP				4.91 (1) / 3.71 (2)	4.83 (1) / 3.66 (2)	4.87 (1) / 3.64 (2)	4.53 (1) / 3.51 (2)	
EER				3.35 (3) / 5.34 (4)	3.26 (3) / 5.31 (4)	3.16 (3) / 5.04 (4)	3.06 (3) / 4.74 (4)	
SEER				5.62 (5)	5.79 (5)	5.71 (5)	5.59 (5)	
Casing	Colour			Silver				
	Material			Polyester painted galvanised steel plate				
Dimensions	Unit	Height	mm	870				
		Width	mm	1,380				
		Depth	mm	460				
	Packed unit	Height	mm	1,053				
		Width	mm	1,520				
		Depth	mm	650				
Weight	Unit		kg	147				
	Packed unit		kg	164				
Packing	Material			PE wrapping foil / Carton / Wood (pallet)				
	Weight		kg	17				
Heat exchanger	Length		mm	1,136 / 1,166 / 1,195				
	Rows	Quantity		3				
	Fin pitch		mm	1.4				
	Passes	Quantity		13				
	Face area		m ²	0.950 / 0.970 / 100				
	Stages	Quantity		38				
	Empty tubeplate hole	Quantity		2				
	Tube type			70 Hi-XD				
	Fin	Type			WF fin			
		Treatment			Anti-corrosion treatment			
	Fan	Type			Propeller fan			
Quantity				1				
Discharge direction				Horizontal				
Air flow rate		Heating High	m ³ /min	48.0	55.8	70.4	85.0	
	Cooling High	m ³ /min	63.1	70.4		85.0		
Fan motor	Quantity			1				
	Model			Brushless DC motor				
Fan motor	Speed	Steps		8				
		Heating Nom.	rpm	400	450	550	650	
		Cooling Nom.	rpm	500	550		650	
	Output		W	234				
	Drive			Direct drive				
Compressor	Quantity			1				
	Model			2Y350BPAY1P#C				
	Type			Hermetically sealed swing compressor				
PED	Category			Category II				
	Most critical part	Name		Accumulator				
		Ps*V	Bar*I	159				
Operation range	Heating	Ambient	Min.	°CDB	-25			
			Max.	°CDB	25 (6)			
		Water side	Min.	°C	9 (6)			
			Max.	°C	60 (6)			
	Cooling	Ambient	Min.	°CDB	10			
			Max.	°CDB	43			
		Water side	Min.	°C	5			
			Max.	°C	22			
	Domestic hot water	Ambient	Min.	°CDB	-25			
			Max.	°CDB	35			
		Water side	Min.	°C	25			
			Max.	°C	55 (6)			
Refrigerant	Type			R-32				
	GWP			675.0				
	Charge		kg	3.80				
	Charge		TCO2Eq	2.57				
	Control			Expansion valve				
	Circuits	Quantity			1			
Refrigerant oil	Type			FW68DA				
	Charged volume		l	135				
Defrost method				Reversed cycle				
Defrost control				Sensor for outdoor heat exchanger temperature				
Capacity control	Method			Inverter controlled				

2 Specifications

1 - 4 EDLA09-16D3W1, EDLA09-16D3V3

2

Technical specifications				EBLA09DW1	EBLA11DW1	EBLA14DW1	EBLA16DW1
Safety devices	Item	01		High pressure switch			
		02		Low pressure switch			
		03		Fan driver overload protector			
Safety devices	Item	04		Fuse			
		05		Compressor motor thermal protector			
Pump	Quantity		1				
	Nr of speeds		PWM				
	Nominal Heating	kPa	106.5	102.9	97.6	76.7	
	ESP unit Cooling	kPa	106.6	99.2	94.1	88.4	
	Power input	W	180				
Water side Heat exchanger	Type		Plate heat exchanger				
	Quantity		1				
	Water volume	l	2.16				
	Water Heating Nom.	l/min	26.9 (1) / 25.8 (2)	30.3 (1) / 28.2 (2)	34.4 (1) / 35.7 (2)	45.9 (1) / 45.9 (2)	
	flow rate Cooling Nom.	l/min	26.8 (3) / 26.1 (4)	33.2 (3) / 33.0 (4)	36.8 (3) / 36.3 (4)	40.2 (3) / 43.9 (4)	
	Insulation material		EPDM type				
	Heater	W	50.0				
	Volume	l	8				
Expansion vessel	Max. water pressure	bar	4				
	Pre pressure	bar	1				
	Heater	W	65				
	Diameter perforations	mm	0.8				
Water filter	Material		Stainless steel				
	Piping connections diameter	inch	G 1" (male)				
Water circuit	Piping	inch	1-1/4"				
	Piping Max. OU - Tank length	m	10				
	Level dif- Max. ference	m	5				
	Safety valve	bar	3				
	Drain valve / fill valve		Yes				
	Shut off valve		Yes				
	Air purge valve		Yes (Manually)				
	Minimum water volume in the system	l	50 (7)				
	Heater	W	66.0				
	General	Supplier/ Name and address		Daikin Europe N.V. - Zandvoordestraat 300, 8400 Oostende, Belgium			
		Manu- Name or trademark		Daikin Europe N.V.			
Product details							
Air-to-water heat pump			Yes				
Brine-to-water heat pump			No				
Heat pump combination heater			No				
General	Low-temperature heat pump		No				
	Supplementary heater integrated		No				
	Product description	Water-to-water heat pump	No				
	LW(A) Sound power level (according to EN14825)	dB(A)	62.0				
Sound condition Ecodesign and energy label		Sound power in heating mode, measured according to the EN12102 under conditions of the EN14825					
Space heating general	Air to water unit	Rated airflow (outdoor)	m ³ /h	2,880	3,350	4,220	5,100
		Other		Inverter			
	Pck (Crankcase heater mode)	kW	0.000				
	Poff (Off mode)	kW	0.023				
	Psb (Standby mode)	kW	0.023				
	Pto (Thermostat off)	kW	0.023				

2 Specifications

1 - 4 EDLA09-16D3W1, EDLA09-16D3V3

Technical specifications				EBLA09DW1	EBLA11DW1	EBLA14DW1	EBLA16DW1
Space heating Average climate water outlet 55°C	General	Annual energy consumption	kWh	5,404	6,134	6,651	7,359
		ηs (Seasonal space heating efficiency)	%	135	132	134	132
		Prated at -10°C	kW	9.0	10.0	110	12.0
		Qhe Annual energy consumption (GCV)	Gj	19	22	24	26
		SCOP		3.44	3.37	3.42	3.37
		Seasonal space heating eff. class		A++			
		A Condition (-7°CDB/-8°CWB)	Cdh (Degradation heating)	10			
			COPd	2.09	1.90	2.02	1.95
			Pdh	8.5	9.3	9.4	
			PERd	83.6	76.0	80.8	78.0
		B Condition (2°CDB/1°CWB)	Cdh (Degradation heating)	10			
			COPd	3.28	3.25	3.28	3.27
			Pdh	5.0	5.4	6.2	6.9
			PERd	131.2	130.0	131.2	130.8
		C Condition (7°CDB/6°CWB)	Cdh (Degradation heating)	10			
			COPd	4.80	4.81	4.88	4.93
			Pdh	4.4			
			PERd	192.0	192.4	195.2	197.2
		D Condition (12°CDB/11°CWB)	Cdh (Degradation heating)	10			
			COPd	6.45	6.41	6.58	6.60
			Pdh	5.3			
			PERd	258.0	256.4	263.2	264.0
		Tol (temperature operating limit)	COPd	1.70	1.64	1.70	1.67
Pdh	6.8		7.6	7.8	8.0		
PERd	68.0		65.6	68.0	66.8		
TOL	-10						
	WTOL	55					
Rated heat output supplementary capacity	Psup (at Tdesign -10°C)	kW	2.2	2.4	3.2	4.1	

2 Specifications

1 - 4 EDLA09-16D3W1, EDLA09-16D3V3

2

Technical specifications				EBLA09DW1	EBLA11DW1	EBLA14DW1	EBLA16DW1	
Space heating	Average climate water outlet 55°C	Tbiv	COPd	192	190	2.09	2.13	
		(bivalent Pdh	kW	8.8	9.3	9.4	10.1	
		tempera- PERd	%	76.8	76.0	83.6	85.2	
		ture) Tbiv	°C	-8	-7	-6	-5	
	Cold climate water outlet 55°C	General	Annual energy consumption	kWh	7,092	7,848	8,808	9,510
			ηs (Seasonal space heating efficiency)	%	122	123	120	121
			Prated at -22°C	kW	9.0	10.0	11.0	12.0
			Qhe Annual energy consumption (GCV)	Gj	26	28	32	34
	Warm climate water outlet 55°C	General	Annual energy consumption	kWh	2,820	3,083	3,690	
			ηs (Seasonal space heating efficiency)	%	168	170	172	
			Prated at 2°C	kW	9.0	10.0	12.1	
			Qhe Annual energy consumption (GCV)	Gj	10	11	13	
	B Condition (2°CDB/1°CWB)	Cdh (Degradation heating)	COPd		2.12	2.18	2.17	
			Pdh	kW	9.0		9.8	
			PERd	%	84.8	87.2	86.8	
	C Condition (7°CDB/6°CWB)	Cdh (Degradation heating)	COPd		3.65	3.74	3.83	
			Pdh	kW		6.2	7.6	
			PERd	%	146.0	149.6	153.2	
	D Condition (12°CDB/11°CWB)	Cdh (Degradation heating)	COPd		5.68		5.69	
			Pdh	kW		5.0		
			PERd	%	227.2		227.6	
Tbiv			°C	2		3		
Tbiv (bivalent tempera- ture)	COPd	Pdh	kW	2.12	2.18	2.40		
		PERd	%	84.8	87.2	96.0		
		Tbiv	°C	2		3		
		PERd	%	84.8	87.2	96.0		
Average climate water outlet 35°C	General	Annual energy consumption	kWh	3,854	4,371	4,838	5,281	
		ηs (Seasonal space heating efficiency)	%	190	186	185		
		Prated at -10°C	kW	9.0	10.0	11.0	12.0	
		Qhe Annual energy consumption (GCV)	Gj	14	16	17	19	
		SCOP		4.82	4.73	4.70	4.69	
		Seasonal space heating eff. class		A+++				
A Condition (-7°CDB/-8°CWB)	COPd	Pdh	kW	3.07	3.03	2.95	2.87	
		PERd	%	8.5	9.2	10.1	11.2	
		PERd	%	122.8	121.2	118.0	114.8	

2 Specifications

1 - 4 EDLA09-16D3W1, EDLA09-16D3V3

Technical specifications				EBLA09DW1	EBLA11DW1	EBLA14DW1	EBLA16DW1	
Space heating 	Average climate water outlet 35°C	B Condition (2°CDB/1°CWB)	Cdh (Degradation heating)	10				
			COPd	4.52	4.37	4.35	4.33	
			Pdh kW	5.5				
		B/1°CWB)	PERd %	180.8	174.8	174.0	173.2	
			C Condition (7°CDB/1°CWB)	Cdh (Degradation heating)	10			
				COPd	6.78	6.74	6.70	6.83
		Pdh kW		4.7	4.6			
		B/6°CWB)	PERd %	271.2	269.6	268.0	273.2	
			D Condition (12°CDB/11°CWB)	Cdh (Degradation heating)	10			
				COPd	8.75	8.54	8.65	8.82
		Pdh kW		5.5	5.4			
		Tol (temperature operating limit)	PERd %	350.0	341.6	346.0	352.8	
	COPd		2.64	2.58	2.51	2.48		
	Pdh kW		8.3	10.1	11.2	11.8		
	Tbiv (bivalent temperature)	PERd %	105.6	103.2	100.4	99.2		
		TOL °C	-10					
		WTOL °C	35					
	Rated heat output supplementary capacity	COPd	2.75	2.58	2.51	2.48		
		Pdh kW	8.7	10.1	11.2	11.8		
		PERd %	110.0	103.2	100.4	99.2		
	Cold climate water outlet 35°C	General	Tbiv °C	-9				
			Psup (at Tdesign -10°C) kW	0.7	0.0			
			Annual energy consumption kWh	4,980	5,732	6,266	7,245	
	Warm climate water outlet 35°C	General	ηs (Seasonal space heating efficiency) %	175	169	170	160	
Prated at -22°C kW			9.0	10.0	11.0	12.0		
Qhe Annual energy consumption (GCV) GJ			18	21	23	26		
Space heating 	Warm climate water outlet 35°C	General	Annual energy consumption kWh	1,938	2,128	2,333	2,573	
			ηs (Seasonal space heating efficiency) %	243	248	249	246	
			Prated at 2°C kW	9.0	10.0	11.0	12.0	
		B Condition (2°CDB/1°CWB)	Qhe Annual energy consumption (GCV) GJ	7	8			
			Cdh (Degradation heating)	10				
			COPd	3.36	3.30	3.45	3.30	
	C Condition (7°CDB/1°CWB)	Pdh kW	9.0	10.3	10.8	11.9		
		PERd %	134.4	132.0	138.0	132.0		
		Cdh (Degradation heating)	10					
	D Condition (12°CDB/11°CWB)	COPd	5.59	5.70	5.77	5.64		
		Pdh kW	5.9	6.7	7.4	8.1		
		PERd %	223.6	228.0	230.8	225.6		
Control systems	Class of temperature control	Contribution to seasonal space heating % efficiency	Tbiv °C	2				
			COPd	3.36	3.30	3.45	3.30	
			Pdh kW	9.0	10.3	10.8	11.9	
			PERd %	134.4	132.0	138.0	132.0	
			TOL °C	2				
			WTOL °C	35				

Electrical specifications		EBLA09DW1	EBLA11DW1	EBLA14DW1	EBLA16DW1
Compressor	Starting method	Inverter			
Pump	Type	PWM			

2 Specifications

1 - 4 EDLA09-16D3W1, EDLA09-16D3V3

2

Electrical specifications				EBLA09DW1	EBLA11DW1	EBLA14DW1	EBLA16DW1
Compressor component	Main power supply	Phase Voltage	V			3N~	400
	Voltage range	Min.	%			-10	
		Max.	%			10	
	Power supply	Name					W1
Phase						3~	
Frequency			Hz			50	
Voltage			V			400	
Voltage range	Min.		%			-10	
	Max.		%			10	
Current	Maximum running current	Heating	A			14.0	
		Recommended fuses	A			16	
Wiring connections	Optional domestic hot water tank + Q2L	Quantity				3G	
		Type of wires				Minimum 2.5 mm ²	
	R5T	Quantity				2	
		Type of wires				Wire included in option EKHWS*	
	For connection with R6T	Quantity				2	
		Remark				Minimum 0.75 mm ²	
	A3P	Quantity				4	
		Type of wires				Select diameter and type according to national and local regulations	
	M2S	Quantity				2	
		Type of wires				Select diameter and type according to national and local regulations	
	M3S	Quantity				3	
		Type of wires				Select diameter and type according to national and local regulations	
		Quantity				2	
		Type of wires				Wire included in option EKFLSW1	
For power supply	Quantity				4G		
	Remark				See installation manual outdoor unit		
For connection with user interface	Quantity				4		
	Remark				0.75 mm ² till 1.25 mm ² (max length 200 m)		
	Type of wires				0,75 ~1,25 mm ² (P1P2)		
Preferential kWh rate power supply	Quantity				Power: 2		
	Remark				Power 6.3A		
Domestic hot water pump	Quantity				3		
Wiring connections	Domestic hot water pump	Remark				Minimum 0.75 mm ²	
Cable requirements	Cooling/ Heating output	Maximum running current	A			0.3	

(1)Condition: Ta DB/WB 7°C/6°C - LWC 35°C. (DT = 5°C) |

(2)Condition: Ta DB/WB 7°C/6°C - LWC 45°C. (Dt=5°C) |

(3)Cooling: EW 12°C; LW 7°C; ambient conditions: 35°CDB |

(4)Cooling: EW 23°C; LW 18°C; ambient conditions: 35°CDB |

(5)According to EN14825 |

(6)For more details, see operation range drawing |

(7)Depends on operation mode, refer to installation manual.

Technical specifications			EBLA09DV3	EBLA11DV3	EBLA14DV3	EBLA16DV3	
Heating capacity	Nom.	kW	9.37 (1) / 9.00 (2)	10.6 (1) / 9.82 (2)	12.0 (1) / 12.5 (2)	16.0 (1) / 16.0 (2)	
Cooling capacity	Nom.	kW	9.35 (3) / 9.10 (4)	11.6 (3) / 11.5 (4)	12.8 (3) / 12.7 (4)	14.0 (3) / 15.3 (4)	
Power input	Cooling	Nom.	kW	2.79 (3) / 1.71 (4)	3.56 (3) / 2.17 (4)	4.06 (3) / 2.51 (4)	4.58 (3) / 3.24 (4)
	Heating	Nom.	kW	1.91 (1) / 2.43 (2)	2.18 (1) / 2.68 (2)	2.46 (1) / 3.42 (2)	3.53 (1) / 4.56 (2)
COP			4.91 (1) / 3.71 (2)	4.83 (1) / 3.66 (2)	4.87 (1) / 3.64 (2)	4.53 (1) / 3.51 (2)	
EER			3.35 (3) / 5.34 (4)	3.26 (3) / 5.31 (4)	3.16 (3) / 5.04 (4)	3.06 (3) / 4.74 (4)	
SEER			5.62 (5)	5.79 (5)	5.71 (5)	5.59 (5)	
Casing	Colour		Silver				
	Material		Polyester painted galvanised steel plate				

2 Specifications

1 - 4 EDLA09-16D3W1, EDLA09-16D3V3

Technical specifications					EBLA09DV3	EBLA11DV3	EBLA14DV3	EBLA16DV3
Dimensions	Unit	Height	mm		870			
		Width	mm		1,380			
		Depth	mm		460			
	Packed unit	Height	mm		1,053			
		Width	mm		1,520			
		Depth	mm		650			
Weight	Unit			kg				
	Packed unit			kg				
Packing	Material			PE wrapping foil / Carton / Wood (pallet)				
	Weight			kg				
Heat exchanger	Length			mm				
	Rows	Quantity						
	Fin pitch			mm				
	Passes	Quantity						
	Face area			m ²				
	Stages	Quantity						
	Tube type			70 Hi-XD				
	Fin	Type			WF fin			
		Treatment			Anti-corrosion treatment			
	Fan	Type			Propeller fan			
Quantity				1				
Discharge direction				Horizontal				
Air flow rate		Heating	High	m ³ /min	48.0	55.8	70.4	85.0
		Cooling	High	m ³ /min	63.1	70.4	85.0	
Fan motor	Quantity			1				
	Model			Brushless DC motor				
	Speed	Steps			8			
Fan motor	Speed	Heating	Nom.	rpm	400	450	550	650
		Cooling	Nom.	rpm	500	550	650	
	Output			W				
	Drive			Direct drive				
Compressor	Quantity			1				
	Model			2Y350BPAX1P#C				
PED	Type			Hermetically sealed swing compressor				
	Category			Category II				
	Most critical part	Name			Accumulator			
P _s *V		Bar*l		159				
Operation range	Heating	Ambient	Min.	°CDB	-25			
			Max.	°CDB	25 (6)			
		Water side	Min.	°C	9 (6)			
			Max.	°C	60 (6)			
	Cooling	Ambient	Min.	°CDB	10			
			Max.	°CDB	43			
		Water side	Min.	°C	5			
			Max.	°C	22			
	Domestic hot water	Ambient	Min.	°CDB	-25			
			Max.	°CDB	35			
		Water side	Min.	°C	25			
			Max.	°C	55 (6)			
Refrigerant	Type			R-32				
	GWP			675.0				
	Charge			kg				
	Charge			TCO ₂ Eq				
	Control			Expansion valve				
	Circuits	Quantity			1			
Refrigerant oil	Type			FW68DA				
	Charged volume			l				
Defrost method			Reversed cycle					
Defrost control			Sensor for outdoor heat exchanger temperature					
Capacity control	Method			Inverter controlled				
Safety devices	Item	01			High pressure switch			
		02			Low pressure switch			
		03			Fan driver overload protector			
		04			Fuse			
Safety devices	Item	05			Compressor motor thermal protector			
Pump	Quantity			1				
	Nr of speeds			PWM				
	Nominal	Heating	kPa		106.5	102.9	976	76.7
		Cooling	kPa		106.6	99.2	94.1	88.4
	Power input			W				

2 Specifications

1 - 4 EDLA09-16D3W1, EDLA09-16D3V3

2

Technical specifications				EBLA09DV3	EBLA11DV3	EBLA14DV3	EBLA16DV3		
Water side Heat exchanger	Type	Plate heat exchanger							
	Quantity	1							
	Water volume	l	2.16						
	Water flow rate	Heating Nom.	l/min	26.9 (1) / 25.8 (2)	30.3 (1) / 28.2 (2)	34.4 (1) / 35.7 (2)	45.9 (1) / 45.9 (2)		
	flow rate	Cooling Nom.	l/min	26.8 (3) / 26.1 (4)	33.2 (3) / 33.0 (4)	36.8 (3) / 36.3 (4)	40.2 (3) / 43.9 (4)		
Expansion vessel	Insulation material	EPDM type							
	Heater	W	50.0						
	Volume	l	8						
	Max. water pressure	bar	4						
Water filter	Pre pressure	bar	1						
	Heater	W	65						
	Diameter perforations	mm	0.8						
Water circuit	Material	Stainless steel							
	Piping connections diameter	inch	G 1" (male)						
	Piping	inch	1-1/4"						
	Piping length	Max. OU - Tank	m	10					
	Level difference	Max.	m	5					
	Safety valve		bar	3					
	Drain valve / fill valve			Yes					
	Shut off valve			Yes					
	Air purge valve			Yes (Manually)					
	Minimum water volume in the system	l		50 (7)					
General	Heater	W	66.0						
	Supplier/Manu- facturer details	Name and address	Daikin Europe N.V. - Zandvoordestraat 300, 8400 Oostende, Belgium						
		Name or trademark	Daikin Europe N.V.						
	Product description	Air-to-water heat pump		Yes					
		Brine-to-water heat pump		No					
		Heat pump combination heater		No					
		Low-temperature heat pump		No					
		Supplementary heater integrated		No					
	Water-to-water heat pump		No						
	LW(A) Sound power level (according to EN 14825)	dB(A)	62.0						
Sound condition Ecodesign and energy label	Sound power in heating mode, measured according to the EN 12102 under conditions of the EN 14825								
Space heating general	Air to water unit	Rated airflow (outdoor)	m ³ /h	2,880	3,350	4,220	5,100		
	Other	Capacity control		Inverter					
		Pck (Crankcase heater mode)	kW	0.000					
		Poff (Off mode)	kW	0.023					
		Psb (Standby mode)	kW	0.023					
Pto (Thermostat off)	kW	0.023							

2 Specifications

1 - 4 EDLA09-16D3W1, EDLA09-16D3V3

Technical specifications				EBLA09DV3	EBLA11DV3	EBLA14DV3	EBLA16DV3	
Space heating Average climate water outlet 55°C	General	Annual energy consumption	kWh	5,404	6,134	6,651	7,359	
		ηs (Seasonal space heating efficiency)	%	135	132	134	132	
		Prated at -10°C	kW	9.0	10.0	11.0	12.0	
		Qhe Annual energy consumption (GCV)	Gj	19	22	24	26	
		SCOP		3.44	3.37	3.42	3.37	
		Seasonal space heating eff. class		A++				
		A Condition (-7°CDB/-8°CWB)	Cdh (Degradation heating)	10				
			COPd	2.09	1.90	2.02	1.95	
			Pdh	kW	8.5	9.3	9.4	
			PERd	%	83.6	76.0	80.8	78.0
		B Condition (2°CDB/1°CWB)	Cdh (Degradation heating)	10				
			COPd	3.28	3.25	3.28	3.27	
			Pdh	kW	5.0	5.4	6.2	6.9
			PERd	%	131.2	130.0	131.2	130.8
		C Condition (7°CDB/6°CWB)	Cdh (Degradation heating)	10				
			COPd	4.80	4.81	4.88	4.93	
			Pdh	kW		4.4		
			PERd	%	192.0	192.4	195.2	197.2
		D Condition (12°CDB/11°CWB)	Cdh (Degradation heating)	10				
			COPd	6.45	6.41	6.58	6.60	
	Pdh	kW		5.3				
	PERd	%	258.0	256.4	263.2	264.0		
Tol (temperature operating limit)		COPd	1.70	1.64	1.70	1.67		
		Pdh	kW	6.8	7.6	7.8	8.0	
		PERd	%	68.0	65.6	68.0	66.8	
		TOL	°C	-10				
	WTOL	°C	55					
Rated heat output supplementary capacity		Psup (at Tdesign -10°C)	kW	2.2	2.4	3.2	4.1	
Tbiv (bivalent temperature)		COPd	1.92	1.90	2.09	2.13		

2 Specifications

1 - 4 EDLA09-16D3W1, EDLA09-16D3V3

2

Technical specifications					EBLA09DV3	EBLA11DV3	EBLA14DV3	EBLA16DV3	
Space heating	Average climate water outlet 55°C	Tbiv	Pdh	kW	8.8	9.3	9.4	10.1	
		(bivalent temperature)	PERd	%	76.8	76.0	83.6	85.2	
Cold climate water outlet 55°C	General	Tbiv		°C	-8	-7	-6	-5	
		Annual energy consumption		kWh	7,376	8,196	8,808	9,599	
		ηs (Seasonal space heating efficiency)		%	117		120		
		Prated at -22°C		kW	9.0	10.0	11.0	12.0	
Warm climate water outlet 55°C	General	Qhe Annual energy consumption (GCV)		Gj	27	30	32	35	
		Annual energy consumption		kWh	2,820	3,083	3,690		
		ηs (Seasonal space heating efficiency)		%	168	170	172		
		Prated at 2°C		kW	9.0	10.0	12.1		
	B Condition (2°CDB/1°CWB)	Cdh (Degradation heating)	COPd			2.12	2.18	2.17	
			Pdh		kW	9.0	9.8		
			PERd		%	84.8	87.2	86.8	
	C Condition (7°CDB/6°CWB)	Cdh (Degradation heating)	COPd			3.65	3.74	3.83	
			Pdh		kW	6.2		7.6	
			PERd		%	146.0	149.6	153.2	
D Condition (12°CDB/11°CWB)	Cdh (Degradation heating)	COPd			5.68		5.69		
		Pdh		kW	5.0				
		PERd		%	227.2				
		Tbiv		°C	2				
Average climate water outlet 35°C	General	COPd			2.12	2.18	2.40		
		Pdh		kW	9.0	9.8			
		PERd		%	84.8	87.2			
		Tbiv		°C	2				
	A Condition (-7°CDB/-8°CWB)	Cdh (Degradation heating)	Annual energy consumption		kWh	3,854	4,371	4,838	5,281
			ηs (Seasonal space heating efficiency)		%	190	186	185	
			Prated at -10°C		kW	9.0	10.0	11.0	12.0
			Qhe Annual energy consumption (GCV)		Gj	14	16	17	19
	B Condition (2°CDB/1°CWB)	Cdh (Degradation heating)	SCOP			4.82	4.73	4.70	4.69
			Seasonal space heating eff. class			A+++			
COPd					3.07	3.03	2.95	2.87	
B Condition (2°CDB/1°CWB)	Cdh (Degradation heating)	Pdh		kW	8.5	9.2	10.1	11.2	
		PERd		%	122.8	121.2	118.0	114.8	
B Condition (2°CDB/1°CWB)	Cdh (Degradation heating)	COPd			10				
		Pdh		kW	10				

2 Specifications

1 - 4 EDLA09-16D3W1, EDLA09-16D3V3

Technical specifications				EBLA09DV3	EBLA11DV3	EBLA14DV3	EBLA16DV3	
Space heating	Average climate water outlet 35°C	B Condition (2°CDB/1°CWB)	COPd	4.52	4.37	4.35	4.33	
			Pdh kW	5.5				
			PERd %	180.8	174.8	174.0	173.2	
		C Condition (7°CDB/6°CWB)	Cdh (Degradation heating)	10				
			COPd	6.78	6.74	6.70	6.83	
			Pdh kW	4.7	4.6		4.7	
		D Condition (12°CDB/1°CWB)	PERd %	271.2	269.6	268.0	273.2	
			Cdh (Degradation heating)	10				
			COPd	8.75	8.54	8.65	8.82	
		Tol (temperature operating limit)	Pdh kW	5.5	5.4		5.5	
			PERd %	350.0	341.6	346.0	352.8	
			COPd	2.64	2.58	2.51	2.48	
		Tbiv (bivalent temperature)	Pdh kW	8.3	10.1	11.2	11.8	
			PERd %	105.6	103.2	100.4	99.2	
			TOL °C	-10				
		Rated heat output supplementary capacity	WTOL °C	35				
			COPd	2.75	2.58	2.51	2.48	
			Pdh kW	8.7	10.1	11.2	11.8	
		Cold climate water outlet 35°C	General	PERd %	110.0	103.2	100.4	99.2
				Tbiv °C	-9			
				Psup (at Tdesign -10°C) kW	0.7			0.0
				Annual energy consumption kWh	5,351	5,732	6,266	7,245
		Warm climate water outlet 35°C	General	ηs (Seasonal space heating efficiency) %	163	169	170	160
				Prated at -22°C kW	9.0	10.0	11.0	12.0
Qhe Annual energy consumption (GCV) GJ	19			21	23	26		
Annual energy consumption kWh	1,938			2,128	2,333	2,573		
Space heating	Warm climate water outlet 35°C	B Condition (2°CDB/1°CWB)	ηs (Seasonal space heating efficiency) %	243	248	249	246	
			Prated at 2°C kW	9.0	10.0	11.0	12.0	
			Qhe Annual energy consumption (GCV) GJ	7	8		9	
		C Condition (7°CDB/6°CWB)	Cdh (Degradation heating)	10				
			COPd	3.36	3.30	3.45	3.30	
			Pdh kW	9.0	10.3	10.8	11.9	
		D Condition (12°CDB/1°CWB)	PERd %	134.4	132.0	138.0	132.0	
			Cdh (Degradation heating)	10				
			COPd	5.59	5.70	5.77	5.64	
			Pdh kW	5.9	6.7	7.4	8.1	
Space heating	Warm climate water outlet 35°C	PERd %	PERd %	223.6	228.0	230.8	225.6	
			Cdh (Degradation heating)	10				
			COPd	7.87		7.73		
		Pdh kW	5.2					
Space heating	Warm climate water outlet 35°C	Tbiv (bivalent temperature)	PERd %	314.8		309.2		
			COPd	3.36	3.30	3.45	3.30	
			Pdh kW	9.0	10.3	10.8	11.9	
		Tbiv °C	134.4	132.0	138.0	132.0		
Control systems	Class of temperature control	Contribution to seasonal space heating efficiency %	Tbiv °C	2				
			VI	4				

Electrical specifications				EBLA09DV3	EBLA11DV3	EBLA14DV3	EBLA16DV3
Compressor	Starting method			Inverter			
Pump	Type			PWM			
Compressor component	Main power supply	Phase		1~			
		Voltage	V	230			
	Voltage range	Min.	%	-10			
		Max.	%	10			

2 Specifications

1 - 4 EDLA09-16D3W1, EDLA09-16D3V3

2

Electrical specifications			EBLA09DV3	EBLA11DV3	EBLA14DV3	EBLA16DV3		
Power supply	Name					V3		
	Phase					1~		
	Frequency		Hz				50	
	Voltage		V				230	
Voltage range	Min.		%				-10	
	Max.		%				10	
Current	Maximum running current	Heating		A				30.8
		Recommended fuses		A				32
Wiring connections	Optional domestic hot water tank + Q2L		Quantity					3G
			Type of wires					Minimum 2.5 mm ²
	R5T	Quantity					2	
		Type of wires					Wire included in option EKHWS*	
	For connection with R6T	Quantity					2	
		Remark					Minimum 0.75 mm ²	
	A3P	Quantity					4	
		Type of wires					Select diameter and type according to national and local regulations	
	M2S	Quantity					2	
		Type of wires					Select diameter and type according to national and local regulations	
	M3S	Quantity					3	
		Type of wires					Select diameter and type according to national and local regulations	
	Quantity							2
	Type of wires							Wire included in option EKFLSW1
For power supply	Quantity					2G		
	Remark					See installation manual outdoor unit		
For connection with user interface	Quantity					4		
	Remark					0.75 mm ² till 1.25 mm ² (max length 200 m)		
Preferential kWh rate power supply	Quantity					Power: 2		
	Remark					Power 6.3A		
Domestic hot water pump	Quantity					3		
	Remark					Minimum 0.75 mm ²		
Wiring connections	Domestic hot water pump	Remark				Minimum 0.75 mm ²		
Cable requirements	Cooling/ Heating output	Maximum running current	A				0.3	

(1)Condition: Ta DB/WB 7°C/6°C - LWC 35°C (Dt = 5°C) |

(2)Condition: Ta DB/WB 7°C/6°C - LWC 45°C (Dt=5°C) |

(3)Cooling: EW 12°C; LW 7°C; ambient conditions: 35°CDB |

(4)Cooling: EW 23°C; LW 18°C; ambient conditions: 35°CDB |

(5)According to EN14825 |

(6)For more details, see operation range drawing |

(7)Depends on operation mode, refer to installation manual.

Technical specifications			EBLA09D3W1	EBLA11D3W1	EBLA14D3W1	EBLA16D3W1
Heating capacity	Nom.		kW	9.37 (1) / 9.00 (2)	10.6 (1) / 9.82 (2)	12.0 (1) / 12.5 (2)
	Cooling capacity		kW	9.35 (3) / 9.10 (4)	11.6 (3) / 11.5 (4)	12.8 (3) / 12.7 (4)
Heater capacity	Step 1		kW	3		
Power input	Cooling	Nom.	kW	2.79 (3) / 1.71 (4)	3.56 (3) / 2.17 (4)	4.06 (3) / 2.51 (4)
	Heating	Nom.	kW	1.91 (1) / 2.43 (2)	2.18 (1) / 2.68 (2)	2.46 (1) / 3.42 (2)
COP				4.91 (1) / 3.71 (2)	4.83 (1) / 3.66 (2)	4.87 (1) / 3.64 (2)
EER				3.35 (3) / 5.34 (4)	3.26 (3) / 5.31 (4)	3.16 (3) / 5.04 (4)
SEER				5.62 (5)	5.79 (5)	5.71 (5)
Casing	Colour					Silver
	Material					Polyester painted galvanised steel plate
Dimensions	Unit	Height	mm	870		
		Width	mm	1,380		
		Depth	mm	460		
	Packed unit	Height	mm	1,053		
		Width	mm	1,520		
		Depth	mm	650		

2 Specifications

1 - 4 EDLA09-16D3W1, EDLA09-16D3V3

Technical specifications					EBLA09D3W1	EBLA11D3W1	EBLA14D3W1	EBLA16D3W1	
Weight	Unit				kg				
	Packed unit				kg				
Packing	Material				PE wrapping foil / Carton / Wood (pallet)				
	Weight				kg				
Heat exchanger	Length				mm				
	Rows	Quantity				3			
	Fin pitch				mm				
	Passes	Quantity				13			
	Face area				m ²				
	Stages	Quantity				38			
	Empty tubeplate hole	Quantity				2			
	Tube type				70 Hi-XD				
	Fin	Type				WF fin			
		Treatment				Anti-corrosion treatment			
	Fan	Type				Propeller fan			
Quantity					1				
Discharge direction					Horizontal				
Air flow rate		Heating	High	m ³ /min	48.0	55.8	70.4	85.0	
	Cooling	High	m ³ /min	63.1	70.4		85.0		
Fan motor	Quantity				1				
Fan motor	Model				Brushless DC motor				
	Speed	Steps				8			
		Heating	Nom.	rpm	400	450	550	650	
		Cooling	Nom.	rpm	500	550		650	
	Output				W				
	Drive				Direct drive				
Compressor	Quantity				1				
	Model				2Y350BPAY1P#C				
	Type				Hermetically sealed swing compressor				
PED	Category				Category II				
	Most critical part	Name				Accumulator			
	Ps*V				Bar*I				
					159				
Operation range	Heating	Ambient	Min.	°CDB	-25				
			Max.	°CDB	35				
	Water side	Min.				°C			
			Max.				°C		
	Cooling	Ambient	Min.	°CDB	10				
			Max.	°CDB	43				
	Water side	Min.				°C			
			Max.				°C		
	Domestic hot water	Ambient	Min.	°CDB	-25				
			Max.	°CDB	35				
	Water side	Min.				°C			
			Max.				°C		
Refrigerant	Type				R-32				
	GWP				675.0				
	Charge				kg				
	Charge				TCO2Eq				
	Control				Expansion valve				
	Circuits	Quantity				1			
Refrigerant oil	Type				FW68DA				
	Charged volume				l				
Defrost method				Reversed cycle					
Defrost control				Sensor for outdoor heat exchanger temperature					
Capacity control	Method				Inverter controlled				
Safety devices	Item	01				High pressure switch			
		02				Low pressure switch			
Safety devices	Item	03				Fan driver overload protector			
		04				Fuse			
		05				Compressor motor thermal protector			
Pump	Quantity				1				
	Nr of speeds				PWM				
	Nominal	Heating				kPa			
	ESP unit	Cooling				kPa			
	Power input				W				

2 Specifications

1 - 4 EDLA09-16D3W1, EDLA09-16D3V3

2

Technical specifications				EBLA09D3W1	EBLA11D3W1	EBLA14D3W1	EBLA16D3W1				
Water side Heat exchanger	Type	Plate heat exchanger									
	Quantity	1									
	Water volume	l	2.16								
	Water flow rate	Heating Nom.	l/min	26.9 (1) / 25.8 (2)	30.3 (1) / 28.2 (2)	34.4 (1) / 35.7 (2)	45.9 (1) / 45.9 (2)				
		Cooling Nom.	l/min	26.8 (3) / 26.1 (4)	33.2 (3) / 33.0 (4)	36.8 (3) / 36.3 (4)		40.2 (3) / 43.9 (4)			
Expansion vessel	Insulation material	EPDM type									
	Heater	W	50.0								
	Volume	l	8								
	Max. water pressure	bar	4								
	Pre pressure	bar	1								
Water filter	Heater	W	65								
	Diameter perforations	mm	0.8								
Water circuit	Material	Stainless steel									
	Piping connections diameter	inch	G 1" (male)								
	Piping	inch	1-1/4"								
	Piping length	Max. OU - Tank m	10								
	Level difference	Max. m	5								
	Safety valve	bar	3								
	Drain valve / fill valve		Yes								
	Shut off valve		Yes								
	Air purge valve		Yes								
	Minimum water volume in the system	l	20 (7)								
General	Heater	W	66.0								
	Supplier/Manu- facturer details	Name and address	Daikin Europe N.V. - Zandvoordestraat 300, 8400 Oostende, Belgium								
		Name or trademark	Daikin Europe N.V.								
	Product description	Air-to-water heat pump		Yes							
		Brine-to-water heat pump		No							
Heat pump combination heater			No								
Low-temperature heat pump			No								
General	Product description	Supplementary heater integrated	Yes								
		Water-to-water heat pump	No								
LW(A) Sound power level (according to EN14825)		dB(A)	62.0								
Sound condition Ecodesign and energy label			Sound power in heating mode, measured according to the EN12102 under conditions of the EN14825								
Space heating general	Air to water unit	Rated airflow (outdoor)	m ³ /h	2,880	3,350	4,220	5,100				
		Other	Capacity control		Inverter						
			Pck (Crankcase heater mode) kW		0.000						
			Poff (Off mode) kW		0.023						
	Psb (Standby mode) kW			0.023							
	Integrated supplementary heater	Pto (Thermostat off) kW		0.023							
		Type of energy input		Electrical							

2 Specifications

1 - 4 EDLA09-16D3W1, EDLA09-16D3V3

Technical specifications				EBLA09D3W1	EBLA11D3W1	EBLA14D3W1	EBLA16D3W1	
Space heating Average climate water outlet 55°C	General	Annual energy consumption	kWh	5,404	6,134	6,651	7,359	
		ηs (Seasonal space heating efficiency)	%	135	132	134	132	
		Prated at -10°C	kW	9.0	10.0	110	12.0	
		Qhe Annual energy consumption (GCV)	Gj	19	22	24	26	
		SCOP		3.44	3.37	3.42	3.37	
		Seasonal space heating eff. class		A++				
		A Condition (-7°CDB/-8°CWB)	Cdh (Degradation heating)	10				
			COPd	2.09	190	2.02	195	
			Pdh	kW	8.5	9.3	9.4	
			PERd	%	83.6	76.0	80.8	78.0
		B Condition (2°CDB/1°CWB)	Cdh (Degradation heating)	10				
			COPd	3.28	3.25	3.28	3.27	
			Pdh	kW	5.0	5.4	6.2	6.9
			PERd	%	131.2	130.0	131.2	130.8
		C Condition (7°CDB/6°CWB)	Cdh (Degradation heating)	10				
			COPd	4.80	4.81	4.88	4.93	
			Pdh	kW	4.4			
			PERd	%	192.0	192.4	195.2	197.2
		D Condition (12°CDB/11°CWB)	Cdh (Degradation heating)	10				
			COPd	6.45	6.41	6.58	6.60	
	Pdh	kW	5.3					
	PERd	%	258.0	256.4	263.2	264.0		
Tol (temperature operating limit)		COPd	1.70	1.64	1.70	1.67		
		Pdh	kW	6.8	7.6	7.8	8.0	
		PERd	%	68.0	65.6	68.0	66.8	
		TOL	-10					

2 Specifications

1 - 4 EDLA09-16D3W1, EDLA09-16D3V3

2

Technical specifications				EBLA09D3W1	EBLA11D3W1	EBLA14D3W1	EBLA16D3W1		
Space heating	Average climate water outlet 55°C	Tol (temperature operating limit)	WTOL °C	55					
		Rated heat output supplementary capacity	Psup (at Tdesign -10°C) kW	2.2	2.4	3.2	4.1		
		Tbiv (bivalent temperature)	COPd	192	190	2.09	2.13		
			Pdh kW	8.8	9.3	9.4	10.1		
			PERd %	76.8	76.0	83.6	85.2		
			Tbiv °C	-8	-7	-6	-5		
		Cold climate water outlet 55°C	General	Annual energy consumption	kWh	7,092	7,848	8,808	9,510
				ηs (Seasonal space heating efficiency)	%	122	123	120	121
				Prated at -22°C	kW	9.0	10.0	11.0	12.0
				Qhe Annual energy consumption (GCV)	Gj	26	28	32	34
Warm climate water outlet 55°C	General	Annual energy consumption	kWh	2,820	3,083	3,690			
		ηs (Seasonal space heating efficiency)	%	168	170	172			
		Prated at 2°C	kW	9.0	10.0	12.1			
		Qhe Annual energy consumption (GCV)	Gj	10	11	13			
	B Condition (2°CDB/B/1°CWB)	Cdh (Degradation heating)	COPd			10			
			Pdh kW	2.12	2.18	2.17			
	C Condition (7°CDB/B/6°CWB)	Cdh (Degradation heating)	COPd			10			
			Pdh kW	3.65	3.74	3.83			
	D Condition (12°CDB/11°CWB)	Cdh (Degradation heating)	COPd			10			
			Pdh kW	5.68		5.69			
PERd %			2272		2276				
Tbiv (bivalent temperature)	COPd	Pdh kW	2.12	2.18	2.40				
		PERd %	9.0	9.8	11.0				
		Tbiv °C	84.8	87.2	96.0				
			2		3				
Average climate water outlet 35°C	General	Annual energy consumption	kWh	3,854	4,371	4,838	5,281		
		ηs (Seasonal space heating efficiency)	%	190	186	185			
		Prated at -10°C	kW	9.0	10.0	11.0	12.0		
		Qhe Annual energy consumption (GCV)	Gj	14	16	17	19		
		SCOP		4.82	4.73	4.70	4.69		
		Seasonal space heating eff. class		A+++					
		A Condition (-7°CDB/-8°CWB)	COPd	3.07	3.03	2.95	2.87		

2 Specifications

1 - 4 EDLA09-16D3W1, EDLA09-16D3V3

Technical specifications				EBLA09D3W1	EBLA11D3W1	EBLA14D3W1	EBLA16D3W1		
Space heating 	Average climate water outlet 35°C	A Condition	Pdh	kW	8.5	9.2	10.1	11.2	
		(-7°CDB/-8°CWB)	PERd	%	122.8	121.2	118.0	114.8	
		B Condition (2°CDB/1°CWB)	Cdhd (Degradation heating)			10			
			COPd		4.52	4.37	4.35	4.33	
		Pdh	kW		5.5		6.1	6.7	
			PERd	%	180.8	174.8	174.0	173.2	
		C Condition (7°CDB/6°CWB)	Cdhd (Degradation heating)			10			
			COPd		6.78	6.74	6.70	6.83	
		Pdh	kW		4.7		4.6	4.7	
			PERd	%	271.2	269.6	268.0	273.2	
		D Condition (12°CDB/11°CWB)	Cdhd (Degradation heating)			10			
			COPd		8.75	8.54	8.65	8.82	
	Pdh		kW	5.5		5.4	5.5		
	Tol (temperature operating limit)	COPd		2.64	2.58	2.51	2.48		
			Pdh	kW	8.3	10.1	11.2	11.8	
		PERd	%	105.6	103.2	100.4	99.2		
	Tbiv (bivalent temperature)	TOL	°C		-10				
		WTOL	°C		35				
	Rated heat output supplementary capacity	COPd		2.75	2.58	2.51	2.48		
			Pdh	kW	8.7	10.1	11.2	11.8	
		PERd	%	110.0	103.2	100.4	99.2		
	Cold climate water outlet 35°C	General	Tbiv	°C	-9				
			Psup (at Tdesign -10°C)	kW	0.7				
			Annual energy consumption	kWh	4,980	5,732	6,266	7,245	
Warm climate water outlet 35°C	General	ηs (Seasonal space heating efficiency)	%	175	169	170	160		
		Prated at -22°C	kW	9.0	10.0	11.0	12.0		
		Qhe Annual energy consumption (GCV)	Gj	18	21	23	26		
Cold climate water outlet 35°C	General	Annual energy consumption	kWh	1,938	2,128	2,333	2,573		
		ηs (Seasonal space heating efficiency)	%	243	248	249	246		
		Prated at 2°C	kW	9.0	10.0	11.0	12.0		
Warm climate water outlet 35°C	General	Qhe Annual energy consumption (GCV)	Gj	7	8	9			
		B Condition (2°CDB/1°CWB)	Cdhd (Degradation heating)			10			
			COPd		3.36	3.30	3.45	3.30	
Pdh	kW		9.0	10.3	10.8	11.9			
	PERd	%	134.4	132.0	138.0	132.0			
Cold climate water outlet 35°C	C Condition (7°CDB/6°CWB)	Cdhd (Degradation heating)			10				
		COPd		5.59	5.70	5.77	5.64		
		Pdh	kW	5.9	6.7	7.4	8.1		
Warm climate water outlet 35°C	D Condition (12°CDB/11°CWB)	PERd	%	223.6	228.0	230.8	225.6		
		Cdhd (Degradation heating)			10				
		COPd		787		773			
Cold climate water outlet 35°C	Tbiv (bivalent temperature)	Pdh	kW	5.2					
		PERd	%	314.8		309.2			
		COPd		3.36	3.30	3.45	3.30		
Warm climate water outlet 35°C	Tbiv (bivalent temperature)	Pdh	kW	9.0	10.3	10.8	11.9		
		PERd	%	134.4	132.0	138.0	132.0		
		Tbiv	°C	2					
Control systems	Class of temperature control		VI						
	Contribution to seasonal space heating efficiency		4						

Electrical specifications		EBLA09D3W1	EBLA11D3W1	EBLA14D3W1	EBLA16D3W1
Compressor	Starting method	Inverter			

2 Specifications

1 - 4 EDLA09-16D3W1, EDLA09-16D3V3

2

Electrical specifications				EBLA09D3W1	EBLA11D3W1	EBLA14D3W1	EBLA16D3W1
Pump	Type						PWM
Compressor component	Main power supply	Phase					3N~
		Voltage	V				400
	Voltage range	Min.	%				-10
		Max.	%				10
Hydraulic component	Back-up heater	Type					3V3
		Power	Phase				1~
	current supply	Frequency	Hz				50
		Voltage	V				230
	Running current	Back-up heater	A				13.0
	Voltage range	Min.	%				-10
Max.		%				10	
Wiring connections	Type of wires		Select diameter and type according to national and local regulations				
Power supply	Name						W1
	Phase						3~
	Frequency		Hz				50
	Voltage		V				400
Voltage range	Min.	%					-10
	Max.	%					10
Current	Maximum running current	Heating	A				14.0
Wiring connections	Recommended fuses		A				16
	Optional domestic hot water tank + Q2L	Quantity					3G
		Type of wires					Minimum 2.5 mm ²
	R5T	Quantity					2
		Type of wires					Wire included in option EKHWS*
	For connection with R6T	Quantity					2
		Remark					Minimum 0.75 mm ²
	A3P	Quantity					4
		Type of wires					Select diameter and type according to national and local regulations
	M2S	Quantity					2
		Type of wires					Select diameter and type according to national and local regulations
	M3S	Quantity					3
		Type of wires					Select diameter and type according to national and local regulations
Wiring connections	Quantity					2	
	Type of wires					Wire included in option EKFLSW1	
For power supply	Quantity					4G	
	Remark					See installation manual outdoor unit	
For connection with user interface	Quantity					4	
	Remark					0.75 mm ² till 1.25 mm ² (max length 200 m)	
Preferential kWh rate power supply	Type of wires					0,75 ~1,25 mm ² (P IP2)	
	Quantity					Power: 2	
Domestic hot water pump	Remark					Power 6.3A	
	Quantity					3	
Cable requirements	Cooling/ Heating output	Maximum running current	A				0.3

(1)Condition: Ta DB/WB 7°C/6°C - LWC 35°C (Dt = 5°C) |

(2)Condition: Ta DB/WB 7°C/6°C - LWC 45°C (Dt=5°C) |

(3)Cooling: EW 12°C; IW 7°C; ambient conditions: 35°CDB |

(4)Cooling: EW 23°C; IW 18°C; ambient conditions: 35°CDB |

(5)According to EN14825 |

(6)For more details, see operation range drawing |

(7)Depends on operation mode, refer to installation manual.

Technical specifications			EBLA09D3V3	EBLA11D3V3	EBLA14D3V3	EBLA16D3V3
Heating capacity	Nom.	kW	9.37 (1) / 9.00 (2)	10.6 (1) / 9.82 (2)	12.0 (1) / 12.5 (2)	16.0 (1) / 16.0 (2)
Cooling capacity	Nom.	kW	9.35 (3) / 9.10 (4)	11.6 (3) / 11.5 (4)	12.8 (3) / 12.7 (4)	14.0 (3) / 15.3 (4)

2 Specifications

1 - 4 EDLA09-16D3W1, EDLA09-16D3V3

Technical specifications				EBLA09D3V3	EBLA11D3V3	EBLA14D3V3	EBLA16D3V3	
Heater capacity	Step 1			kW				
Power input	Cooling	Nom.	kW	2.79 (3) / 1.71 (4)				
	Heating	Nom.	kW	1.91 (1) / 2.43 (2)				
COP				4.91 (1) / 3.71 (2)				
EER				3.35 (3) / 5.34 (4)				
SEER				5.62 (5)				
Casing	Colour			Silver				
	Material			Polyester painted galvanised steel plate				
Dimensions	Unit	Height	mm	870				
		Width	mm	1,380				
		Depth	mm	460				
	Packed unit	Height	mm	1,053				
		Width	mm	1,520				
		Depth	mm	650				
Weight	Unit	kg		149				
	Packed unit	kg		166				
Packing	Material			PE wrapping foil / Carton / Wood (pallet)				
	Weight	kg		17				
Heat exchanger	Length	mm		1,136 / 1,166 / 1,195				
	Rows	Quantity		3				
	Fin pitch	mm		1.4				
	Passes	Quantity		14				
	Face area	m ²		0.950 / 0.970 / 1.00				
	Stages	Quantity		38				
	Tube type			70 Hi-XD				
	Fin	Type			WF fin			
		Treatment			Anti-corrosion treatment			
	Fan	Type			Propeller fan			
Quantity				1				
Discharge direction				Horizontal				
Air flow rate		Heating	High	m ³ /min	48.0	55.8	70.4	85.0
	Cooling	High	m ³ /min	63.1	70.4		85.0	
Fan motor	Quantity			1				
	Model			Brushless DC motor				
Fan motor	Speed	Steps		8				
		Heating	Nom.	rpm	400	450	550	650
		Cooling	Nom.	rpm	500	550		650
	Output	W		230				
	Drive			Direct drive				
Compressor	Quantity			1				
	Model			2Y350BPAX1P#C				
	Type			Hermetically sealed swing compressor				
PED	Category			Category II				
	Most critical part	Name		Accumulator				
		Ps*V	Bar*I	159				
Operation range	Heating	Ambient	Min.	°CDB	-25			
			Max.	°CDB	35			
		Water side	Min.	°C	15 (6)			
			Max.	°C	60 (6)			
		Cooling	Ambient	Min.	°CDB	10		
				Max.	°CDB	43		
	Domestic hot water	Ambient	Min.	°CDB	-25			
			Max.	°CDB	35			
		Water side	Min.	°C	25			
			Max.	°C	55 (6)			
		Refrigerant	Type			R-32		
			GWP			675.0		
	Charge	kg		3.80				
	Charge	TCO2Eq		2.57				
	Control			Expansion valve				
	Circuits	Quantity		1				
Refrigerant oil	Type			FW68DA				
	Charged volume	l		135				
Defrost method			Reversed cycle					
Defrost control			Sensor for outdoor heat exchanger temperature					
Capacity control	Method			Inverter controlled				
Safety devices	Item	01			High pressure switch			
		02			Low pressure switch			
		03			Fan driver overload protector			

2 Specifications

1 - 4 EDLA09-16D3W1, EDLA09-16D3V3

2

Technical specifications				EBLA09D3V3	EBLA11D3V3	EBLA14D3V3	EBLA16D3V3
Safety devices	Item	04		Fuse			
		05		Compressor motor thermal protector			
Pump	Quantity			1			
	Nr of speeds			PWM			
	Nominal Heating	kPa	106.9	102.7	96.5	71.4	
	ESP unit Cooling	kPa	107.0	98.4	92.3	85.5	
	Power input	W		180			
Water side Heat exchanger	Type		Plate heat exchanger				
	Quantity		1				
	Water volume	l	2.16				
	Water Heating Nom.	l/min	26.9 (1) / 25.8 (2)	30.3 (1) / 28.2 (2)	34.4 (1) / 35.7 (2)	45.9 (1) / 45.9 (2)	
	flow rate Cooling Nom.	l/min	26.8 (3) / 26.1 (4)	33.2 (3) / 33.0 (4)	36.8 (3) / 36.3 (4)	40.2 (3) / 43.9 (4)	
	Insulation material		EPDM type				
	Heater	W	50.0				
	Expansion vessel	Volume	l	8			
		Max. water pressure	bar	4			
		Pre pressure	bar	1			
Heater		W	65				
Water filter	Diameter perforations	mm	0.8				
	Material		Stainless steel				
Water circuit	Piping connections diameter	inch	G 1" (male)				
	Piping	inch	1-1/4"				
	Piping Max. OU - Tank length	m	10				
	Level dif- ference	m	5				
	Safety valve	bar	3				
	Drain valve / fill valve		Yes				
	Shut off valve		Yes				
	Air purge valve		Yes				
	Minimum water volume in the system	l	20 (7)				
	Heater	W	66.0				
General	Supplier/ Manu- facturer details	Name and address	Daikin Europe N.V. - Zandvoordestraat 300, 8400 Oostende, Belgium				
		Name or trademark	Daikin Europe N.V.				
	Product descrip- tion	Air-to-water heat pump		Yes			
		Brine-to-water heat pump		No			
		Heat pump combination heater		No			
Low-temperature heat pump			No				
	Supplementary heater integrated		Yes				
General	Product descrip- tion	Water-to-water heat pump	No				
LW(A) Sound power level (according to EN14825)		dB(A)	62.0				
Sound condition Ecodesign and energy label				Sound power in heating mode, measured according to the EN12102 under conditions of the EN14825			
Space heating general	Air to water unit	Rated airflow (outdoor)	m ³ /h	2,880	3,350	4,220	5,100
		Other	Capacity control	Inverter			
		Pck (Crankcase heater mode) kW	0.000				
		Poff (Off mode) kW	0.023				
		Psb (Standby mode) kW	0.023				
		Pto (Thermostat off) kW	0.023				
	Inte- grated supple- mentary heater	Type of energy input			Electrical		

2 Specifications

1 - 4 EDLA09-16D3W1, EDLA09-16D3V3

Technical specifications				EBLA09D3V3	EBLA11D3V3	EBLA14D3V3	EBLA16D3V3	
Space heating Average climate water outlet 55°C	General	Annual energy consumption	kWh	5,404	6,134	6,651	7,359	
		ηs (Seasonal space heating efficiency)	%	135	132	134	132	
		Prated at -10°C	kW	9.0	10.0	110	12.0	
		Qhe Annual energy consumption (GCV)	Gj	19	22	24	26	
		SCOP		3.44	3.37	3.42	3.37	
		Seasonal space heating eff. class		A++				
		A Condition (-7°CDB/-8°CWB)	Cdh (Degradation heating)		10			
			COPd	2.09	190	2.02	195	
			Pdh	kW	8.5	9.3	9.4	
			PERd	%	83.6	76.0	80.8	78.0
		B Condition (2°CDB/1°CWB)	Cdh (Degradation heating)		10			
			COPd	3.28	3.25	3.28	3.27	
			Pdh	kW	5.0	5.4	6.2	6.9
			PERd	%	131.2	130.0	131.2	130.8
		C Condition (7°CDB/6°CWB)	Cdh (Degradation heating)		10			
			COPd	4.80	4.81	4.88	4.93	
			Pdh	kW		4.4		
			PERd	%	192.0	192.4	195.2	197.2
		D Condition (12°CDB/11°CWB)	Cdh (Degradation heating)		10			
			COPd	6.45	6.41	6.58	6.60	
	Pdh	kW		5.3				
	PERd	%	258.0	256.4	263.2	264.0		
Tol (temperature operating limit)		COPd	1.70	1.64	1.70	1.67		
		Pdh	kW	6.8	7.6	7.8	8.0	
		PERd	%	68.0	65.6	68.0	66.8	
		TOL	°C		-10			
	WTOL	°C		55				

2 Specifications

1 - 4 EDLA09-16D3W1, EDLA09-16D3V3

2

Technical specifications				EBLA09D3V3	EBLA11D3V3	EBLA14D3V3	EBLA16D3V3	
Space heating	Average climate water outlet 55°C	Rated heat output supplementary capacity	Psup (at Tdesign -10°C)	2.2	2.4	3.2	4.1	
		Tbiv (bivalent temperature)	COPd	192	190	2.09	2.13	
		Pdh	kW	8.8	9.3	9.4	10.1	
		PERd	%	76.8	76.0	83.6	85.2	
		Tbiv	°C	-8	-7	-6	-5	
Cold climate water outlet 55°C	General	Annual energy consumption	kWh	7,376	8,196	8,808	9,599	
		ηs (Seasonal space heating efficiency)	%	117		120		
		Prated at -22°C	kW	9.0	10.0	11.0	12.0	
		Qhe Annual energy consumption (GCV)	Gj	27	30	32	35	
		Warm climate water outlet 55°C	General	Annual energy consumption	kWh	2,820	3,083	3,690
ηs (Seasonal space heating efficiency)	%			168	170	172		
Prated at 2°C	kW			9.0	10.0	12.1		
Qhe Annual energy consumption (GCV)	Gj			10	11	13		
B Condition (2°CDB/1°CWB)	CdH (Degradation heating)			COPd	10			
		Pdh	kW	2.12	2.18	2.17		
		PERd	%	9.0	9.8		86.8	
C Condition (7°CDB/6°CWB)	CdH (Degradation heating)	COPd	10					
		Pdh	kW	3.65	3.74	3.83		
		PERd	%	6.2	76		153.2	
D Condition (12°CDB/11°CWB)	CdH (Degradation heating)	COPd	10					
		Pdh	kW	5.68	5.0		5.69	
		PERd	%	2272		2276		
Tbiv (bivalent temperature)	COPd	Pdh	kW	2.12	2.18	2.40		
		PERd	%	9.0	9.8	11.0		
		PERd	%	84.8	87.2	96.0		
		Tbiv	°C	2		3		
Average climate water outlet 35°C	General	Annual energy consumption	kWh	3,854	4,371	4,838	5,281	
		ηs (Seasonal space heating efficiency)	%	190	186	185		
		Prated at -10°C	kW	9.0	10.0	11.0	12.0	
		Qhe Annual energy consumption (GCV)	Gj	14	16	17	19	
		SCOP		4.82	4.73	4.70	4.69	
		Seasonal space heating eff. class		A+++				
		A Condition (-7°CDB/-8°CWB)	COPd	3.07	3.03	2.95	2.87	
Pdh	kW	8.5	9.2	10.1	11.2			

2 Specifications

1 - 4 EDLA09-16D3W1, EDLA09-16D3V3

Technical specifications				EBLA09D3V3	EBLA11D3V3	EBLA14D3V3	EBLA16D3V3
Space heating 	Average climate water outlet 35°C	A Condition (-7°CDB/-8°CWB)	PERd %	122.8	121.2	118.0	114.8
		B Condition (2°CDB/1°CWB)	Cdh (Degradation heating)	10			
			COPd	4.52	4.37	4.35	4.33
			Pdh kW	5.5		6.1	6.7
		C Condition (7°CDB/6°CWB)	PERd %	180.8	174.8	174.0	173.2
			Cdh (Degradation heating)	10			
			COPd	6.78	6.74	6.70	6.83
		D Condition (12°CDB/11°CWB)	Pdh kW	4.7	4.6		4.7
			PERd %	271.2	269.6	268.0	273.2
			Cdh (Degradation heating)	10			
		Tol (temperature operating limit)	COPd	8.75	8.54	8.65	8.82
			Pdh kW	5.5	5.4		5.5
			PERd %	350.0	341.6	346.0	352.8
		Tbiv (bivalent temperature)	COPd	2.64	2.58	2.51	2.48
			Pdh kW	8.3	10.1	11.2	11.8
	PERd %		105.6	103.2	100.4	99.2	
	Rated heat output supplementary capacity	TOL °C	-10				
		WTOL °C	35				
		COPd	2.75	2.58	2.51	2.48	
	Cold climate water outlet 35°C	General	Pdh kW	8.7	10.1	11.2	11.8
			PERd %	110.0	103.2	100.4	99.2
			Tbiv °C	-9			
	Warm climate water outlet 35°C	General	Psup (at Tdesign -10°C) kW	0.7	0.0		0.0
			Annual energy consumption kWh	5,351	5,732	6,266	7,245
			ηs (Seasonal space heating efficiency) %	163	169	170	160
			Prated at -22°C kW	9.0	10.0	11.0	12.0
			Qhe Annual energy consumption (GCV) GJ	19	21	23	26
			B Condition (2°CDB/1°CWB)	Annual energy consumption kWh	1,938	2,128	2,333
		ηs (Seasonal space heating efficiency) %		243	248	249	246
		Prated at 2°C kW		9.0	10.0	11.0	12.0
		Qhe Annual energy consumption (GCV) GJ		7	8		9
		Cdh (Degradation heating)		10			
		COPd		3.36	3.30	3.45	3.30
C Condition (7°CDB/6°CWB)		Pdh kW	9.0	10.3	10.8	11.9	
	PERd %	134.4	132.0	138.0	132.0		
	Cdh (Degradation heating)	10					
Space heating 	Warm climate water outlet 35°C	COPd	5.59	5.70	5.77	5.64	
		Pdh kW	5.9	6.7	7.4	8.1	
		PERd %	223.6	228.0	230.8	225.6	
		D Condition (12°CDB/11°CWB)	Cdh (Degradation heating)	10			
			COPd	7.87		7.73	
			Pdh kW	5.2		309.2	
	Tbiv (bivalent temperature)	PERd %	314.8		309.2		
		COPd	3.36	3.30	3.45	3.30	
		Pdh kW	9.0	10.3	10.8	11.9	
		PERd %	134.4	132.0	138.0	132.0	
		Tbiv °C	2				
		VI	VI				
Control systems	Class of temperature control			VI			
	Contribution to seasonal space heating efficiency %			4			

Electrical specifications		EBLA09D3V3	EBLA11D3V3	EBLA14D3V3	EBLA16D3V3
Compressor	Starting method	Inverter			
Pump	Type	PWM			

2 Specifications

1 - 4 EDLA09-16D3W1, EDLA09-16D3V3

2

Electrical specifications				EBLA09D3V3	EBLA11D3V3	EBLA14D3V3	EBLA16D3V3	
Compressor component	Main power supply	Phase				1~		
		Voltage	V			230		
	Voltage range	Min.	%			-10		
		Max.	%			10		
Hydraulic component	Back-up heater	Type				3V3		
		Power supply	Phase			1~		
	current	Frequency	Hz			50		
		Voltage	V			230		
	Running current	Back-up heater	A			13.0		
		Voltage range	Min.	%			-10	
	Max.	%				10		
Wiring connections	Type of wires	Select diameter and type according to national and local regulations						
Power supply	Name					V3		
	Phase					1~		
	Frequency	Hz				50		
	Voltage	V				230		
Voltage range	Min.	%				-10		
	Max.	%				10		
Current	Maximum running current	Heating	A			30.8		
		Recommended fuses	A			32		
Wiring connections	Optional domestic hot water tank + Q2L	Quantity				3G		
		Type of wires	Minimum 2.5 mm ²					
	R5T	Quantity					2	
		Type of wires	Wire included in option EKHWS*					
	For connection with R6T	Quantity					2	
		Remark	Minimum 0.75 mm ²					
	A3P	Quantity					4	
		Type of wires	Select diameter and type according to national and local regulations					
	M2S	Quantity					2	
		Type of wires	Select diameter and type according to national and local regulations					
M3S	Quantity					3		
	Type of wires	Select diameter and type according to national and local regulations						
Wiring connections	For power supply	Quantity				2		
		Type of wires	Wire included in option EKFLSW1					
	For connection with user interface	Quantity					2G	
		Remark	See installation manual outdoor unit					
	Preferential kWh rate power supply	Quantity					4	
		Remark	0.75 mm ² till 125 mm ² (max length 200 m) 0,75 ~1,25 mm ² (P1P2)					
	Domestic hot water pump	Quantity					Power: 2 Power 6.3A	
		Remark						
	Cable requirements	Cooling/ Heating output	Maximum running current	A			0.3	
			Quantity					3
Remark	Minimum 0.75 mm ²							

- (1)Condition: Ta DB/WB 7°C/6°C - LWC 35°C (DT = 5°C) |
 (2)Condition: Ta DB/WB 7°C/6°C - LWC 45°C (DT=5°C) |
 (3)Cooling: EW 12°C; LW 7°C; ambient conditions: 35°CDB |
 (4)Cooling: EW 23°C; LW 18°C; ambient conditions: 35°CDB |
 (5)According to EN14825 |
 (6)For more details, see operation range drawing |
 (7)Depends on operation mode, refer to installation manual.

Technical specifications			EDLA09DW1	EDLA11DW1	EDLA14DW1	EDLA16DW1
Heating capacity	Nom.	kW	9.37 (1) / 9.00 (2)	10.6 (1) / 9.82 (2)	12.0 (1) / 12.5 (2)	16.0 (1) / 16.0 (2)
Power input	Heating	Nom. kW	191 (1) / 2.43 (2)	2.18 (1) / 2.68 (2)	2.46 (1) / 3.42 (2)	3.53 (1) / 4.56 (2)
COP			4.91 (1) / 3.71 (2)	4.83 (1) / 3.66 (2)	4.87 (1) / 3.64 (2)	4.53 (1) / 3.51 (2)

2 Specifications

1 - 4 EDLA09-16D3W1, EDLA09-16D3V3

Technical specifications					EDLA09DW1	EDLA11DW1	EDLA14DW1	EDLA16DW1	
Casing	Colour				Silver				
	Material				Polyester painted galvanised steel plate				
Dimensions	Unit	Height	mm	870					
		Width	mm	1,380					
		Depth	mm	460					
	Packed unit	Height	mm	1,053					
		Width	mm	1,520					
		Depth	mm	650					
Weight	Unit			kg					
	Packed unit			kg					
Packing	Material				PE wrapping foil / Carton / Wood (pallet)				
	Weight				kg				
Heat exchanger	Length				mm				
	Rows	Quantity			3				
	Fin pitch				mm				
	Passes	Quantity			13				
	Face area				m ²				
	Stages	Quantity			38				
	Empty tubeplate hole	Quantity			2				
	Tube type				70 Hi-XD				
	Fin	Type			WF fin				
		Treatment			Anti-corrosion treatment				
	Fan	Type				Propeller fan			
		Quantity				1			
		Discharge direction				Horizontal			
Air flow rate		Heating	High	m ³ /min	48.0	55.8	70.4	85.0	
Fan motor	Quantity				1				
	Model				Brushless DC motor				
	Speed	Steps			8				
		Heating	Nom.		rpm	400	450	550	650
Output Drive				W					
Compressor	Quantity				1				
	Model				2Y350BPAY1P#C				
PED	Type				Hermetically sealed swing compressor				
	Category				Category II				
	Most critical part	Name			Accumulator				
Ps*V		Bar*l		159					
Operation range	Heating	Ambient	Min.	°CDB	-25				
			Max.	°CDB	25 (3)				
		Water side	Min.	°C	9 (3)				
			Max.	°C	60 (3)				
	Domestic hot water	Ambient	Min.	°CDB	-25				
			Max.	°CDB	35				
		Water side	Min.	°C	25				
			Max.	°C	55 (3)				
Refrigerant	Type				R-32				
	GWP				675.0				
	Charge				kg				
	Charge				TCO ₂ Eq				
	Control				Expansion valve				
	Circuits	Quantity			1				
Refrigerant oil	Type				FW68DA				
	Charged volume				l				
Defrost method				Reversed cycle					
Defrost control				Sensor for outdoor heat exchanger temperature					
Capacity control				Method					
Safety devices	Item	01		High pressure switch					
		02		Low pressure switch					
		03		Fan driver overload protector					
		04		Fuse					
		05		Compressor motor thermal protector					
Pump	Quantity				1				
	Nr of speeds				PWM				
	Nominal	Heating		kPa	106.5	102.9	976	76.7	
	ESP unit								
	Power input				W				

2 Specifications

1 - 4 EDLA09-16D3W1, EDLA09-16D3V3

2

Technical specifications				EDLA09DW1	EDLA11DW1	EDLA14DW1	EDLA16DW1	
Water side Heat exchanger	Type	Plate heat exchanger						
	Quantity	1						
	Water volume	l	2.16					
	Water Heating flow rate	Nom. l/min	26.9 (1) / 25.8 (2)	30.3 (1) / 28.2 (2)	34.4 (1) / 35.7 (2)	45.9 (1) / 45.9 (2)		
Water side Heat exchanger	Insulation material	EPDM type						
	Heater	W	50.0					
Expansion vessel	Volume	l	8					
	Max. water pressure	bar	4					
	Pre pressure	bar	1					
	Heater	W	65					
Water filter	Diameter perforations	mm	0.8					
	Material	Stainless steel						
Water circuit	Piping connections diameter	inch	G 1" (male)					
	Piping	inch	1-1/4"					
	Piping Max. length	OU - Tank m	10					
	Level dif- ference	Max. m	5					
	Safety valve	bar	3					
	Drain valve / fill valve		Yes					
	Shut off valve		Yes					
	Air purge valve		Yes (Manually)					
	Minimum water volume in the system	l	50 (4)					
	Heater	W	66.0					
General	Supplier/ Manu- facturer details	Name and address	Daikin Europe N.V. - Zandvoordestraat 300, 8400 Oostende, Belgium					
		Name or trademark	Daikin Europe N.V.					
	Product descrip- tion	Air-to-water heat pump		Yes				
		Brine-to-water heat pump		No				
		Heat pump combination heater		No				
		Low-temperature heat pump		No				
		Supplementary heater integrated		No				
Water-to-water heat pump		No						
LW(A) Sound power level (according to EN14825)	dB(A)	62.0						
Sound condition Ecodesign and energy label				Sound power in heating mode, measured according to the EN12102 under conditions of the EN14825				
Space heating general	Air to water unit	Rated airflow (outdoor)	m ³ /h	2,880	3,350	4,220	5,100	
		Other	Capacity control	Inverter				
		Pck (Crankcase heater mode)	kW	0.000				
		Poff (Off mode)	kW	0.023				
		Psb (Standby mode)	kW	0.023				
		Pto (Thermostat off)	kW	0.023				
Space heating climate water outlet 55°C	General	Annual energy consumption	kWh	5,488	6,218	6,735	7,444	
		ηs (Seasonal space heating efficiency)	%	133	130	132	130	
		Prated at -10°C	kW	9.0	10.0	11.0	12.0	

2 Specifications

1 - 4 EDLA09-16D3W1, EDLA09-16D3V3

Technical specifications				EDLA09DW1	EDLA11DW1	EDLA14DW1	EDLA16DW1	
Space heating 	Average climate water outlet 55°C	General	Qhe Annual energy consumption (GCV)	20	22	24	27	
			SCOP		3.39	3.32	3.37	3.33
			Seasonal space heating eff. class		A++			
		A Condition (-7°CDB/-8°CWB)	Cdh (Degradation heating)		10			
			COPd		2.09	190	2.02	195
			Pdh	kW	8.5	9.3	9.4	
			PERd	%	83.6	76.0	80.8	78.0
		B Condition (2°CDB/1°CWB)	Cdh (Degradation heating)		10			
			COPd		3.28	3.25	3.28	3.27
			Pdh	kW	5.0	5.4	6.2	6.9
			PERd	%	131.2	130.0	131.2	130.8
		C Condition (7°CDB/6°CWB)	Cdh (Degradation heating)		10			
			COPd		4.80	4.81	4.88	4.93
			Pdh	kW	4.4			
			PERd	%	192.0	192.4	195.2	197.2
		D Condition (12°CDB/11°CWB)	Cdh (Degradation heating)		10			
			COPd		6.45	6.41	6.58	6.60
			Pdh	kW	5.3			
			PERd	%	258.0	256.4	263.2	264.0
		Tol (temperature operating limit)	COPd		1.70	1.64	1.70	1.67
			Pdh	kW	6.8	7.6	7.8	8.0
			PERd	%	68.0	65.6	68.0	66.8
			TOL	°C	-10			
			WTOL	°C	55			
		Rated heat output supplementary capacity	Psup (at Tdesign -10°C)	kW	2.2	2.4	3.2	4.1
			Tbiv	COPd	192	190	2.09	2.13
			(bivalent temperature)	Pdh	kW	8.8	9.3	9.4
PERd	%			76.8	76.0	83.6	85.2	
Tbiv	°C			-8	-7	-6	-5	
Cold climate water outlet 55°C	General	Annual energy consumption	kWh	7,142	7,899	8,858	9,561	
		ηs (Seasonal space heating efficiency)	%	121	122	119	121	
		Prated at -22°C	kW	9.0	10.0	11.0	12.0	
		Qhe Annual energy consumption (GCV)	Gj	26	28	32	34	
	Warm climate water outlet 55°C	General	Annual energy consumption	kWh	2,921	3,184	3,792	
		ηs (Seasonal space heating efficiency)	%	162	165	168		
		Prated at 2°C	kW	9.0	10.0	12.1		
		Qhe Annual energy consumption (GCV)	Gj	11		14		

2 Specifications

1 - 4 EDLA09-16D3W1, EDLA09-16D3V3

2

Technical specifications				EDLA09DW1	EDLA11DW1	EDLA14DW1	EDLA16DW1
Space heating	Warm climate water outlet 55°C	B Condition (2°CDB/1°CWB)	Cdh (Degradation heating)	10			
			COPd	2.12	2.18	2.17	
			Pdh kW	9.0	9.8		
		PERd %	84.8	87.2		86.8	
		C Condition (7°CDB/6°CWB)	Cdh (Degradation heating)	10			
			COPd	3.65	3.74	3.83	
			Pdh kW	6.2		76	
		PERd %	146.0	149.6		153.2	
		D Condition (12°CDB/11°CWB)	Cdh (Degradation heating)	10			
			COPd	5.68		5.69	
	Pdh kW		5.0				
	PERd %	227.2		227.6			
	Tbiv (bivalent temperature)	COPd	2.12	2.18	2.40		
		Pdh kW	9.0	9.8	11.0		
		PERd %	84.8	87.2	96.0		
	Average climate water outlet 35°C	General	Tbiv °C	2		3	
			Annual energy consumption kWh	3,939	4,456	4,923	5,366
			ηs (Seasonal space heating efficiency) %	186	182		
			Prated at -10°C kW	9.0	10.0	11.0	12.0
			Qhe Annual energy consumption (GCV) GJ	14	16	18	19
SCOP			4.72	4.64	4.62		
Seasonal space heating eff. class			A+++				
A Condition (-7°CDB/-8°CWB)		COPd	3.07	3.03	2.95	2.87	
		Pdh kW	8.5	9.2	10.1	11.2	
		PERd %	122.8	121.2	118.0	114.8	
B Condition (2°CDB/1°CWB)	Cdh (Degradation heating)	10					
	COPd	4.52	4.37	4.35	4.33		
	Pdh kW	4.5	5.5	6.1	6.7		
PERd %	180.8	174.8	174.0	173.2			
C Condition (7°CDB/6°CWB)	Cdh (Degradation heating)	10					
	COPd	6.78	6.74	6.70	6.83		
	Pdh kW	4.7	4.6	4.7			
PERd %	271.2	269.6	268.0	273.2			
D Condition (12°CDB/11°CWB)	Cdh (Degradation heating)	10					
	COPd	8.75	8.54	8.65	8.82		
	Pdh kW	5.5	5.4	5.5			
PERd %	350.0	341.6	346.0	352.8			

2 Specifications

1 - 4 EDLA09-16D3W1, EDLA09-16D3V3

Technical specifications				EDLA09DW1	EDLA11DW1	EDLA14DW1	EDLA16DW1	
Space heating 	Average climate water outlet 35°C	Tol (temperature operating limit)	COPd	2.64	2.58	2.51	2.48	
			Pdh	kW	8.3	10.1	11.2	11.8
		TOL	PERd	%	105.6	103.2	100.4	99.2
			WTOL	°C			-10	
		Tbiv (bivalent temperature)	COPd		2.75	2.58	2.51	2.48
			Pdh	kW	8.7	10.1	11.2	11.8
			PERd	%	110.0	103.2	100.4	99.2
			Tbiv	°C	-9		-10	
		Rated heat output supplementary capacity	Psup (at Tdesign -10°C)	kW	0.7		0.0	
	Cold climate water outlet 35°C	General	Annual energy consumption	kWh	5,031	5,783	6,317	7,296
			ηs (Seasonal space heating efficiency)	%	173	168	169	159
			Prated at -22°C	kW	9.0	10.0	11.0	12.0
			Qhe Annual energy consumption (GCV)	Gj	18	21	23	26
	Warm climate water outlet 35°C	General	Annual energy consumption	kWh	2,039	2,230	2,435	2,675
			ηs (Seasonal space heating efficiency)	%	233	237	238	237
			Prated at 2°C	kW	9.0	10.0	11.0	12.0
			Qhe Annual energy consumption (GCV)	Gj	7	8	9	10
	B Condition (2°CDB/1°CWB)	CdH (Degradation heating)	COPd	10				
				Pdh	kW	3.36	3.30	3.45
C Condition (7°CDB/6°CWB)	CdH (Degradation heating)	COPd	10					
			Pdh	kW	9.0	10.3	10.8	11.9
D Condition (12°CDB/11°CWB)	CdH (Degradation heating)	COPd	10					
			Pdh	kW	134.4	132.0	138.0	132.0
Tbiv (bivalent temperature)	COPd	Pdh	10					
			PERd	%	5.59	5.70	5.77	5.64
Tbiv (bivalent temperature)	COPd	Pdh	10					
			PERd	%	5.9	6.7	7.4	8.1
Tbiv (bivalent temperature)	COPd	Pdh	10					
			PERd	%	223.6	228.0	230.8	225.6
Tbiv (bivalent temperature)	COPd	Pdh	10					
			PERd	%	7.87		7.73	
Tbiv (bivalent temperature)	COPd	Pdh	10					
			PERd	%	5.2		309.2	
Tbiv (bivalent temperature)	COPd	Pdh	10					
			PERd	%	3.36	3.30	3.45	3.30
Tbiv (bivalent temperature)	COPd	Pdh	10					
			PERd	%	9.0	10.3	10.8	11.9
Tbiv (bivalent temperature)	COPd	Pdh	10					
			PERd	%	134.4	132.0	138.0	132.0
Tbiv (bivalent temperature)	COPd	Pdh	10					
			PERd	%	2			
Control systems	Class of temperature control	Contribution to seasonal space heating efficiency	VI					
			4					

Electrical specifications				EDLA09DW1	EDLA11DW1	EDLA14DW1	EDLA16DW1
Compressor	Starting method			Inverter			
Pump	Type			PWM			
Compressor component	Main power supply	Phase		3N~			
		Voltage	V	400			
	Voltage range	Min.	%	-10			
Power supply	Voltage range	Max.	%	10			
		Name		W1			
	Phase		3~				
Voltage range	Frequency		Hz	50			
		Voltage	V	400			
	Min.	%	-10				
Current	Maximum running current		A	10			
		Recommended fuses	A	14.0			
				16			

2 Specifications

1 - 4 EDLA09-16D3W1, EDLA09-16D3V3

2

Electrical specifications			EDLA09DW1	EDLA11DW1	EDLA14DW1	EDLA16DW1
Wiring connections	Optional domestic hot water tank + Q2L	Quantity	3G			
		Type of wires	Minimum 2.5 mm ²			
	R5T	Quantity	2			
		Type of wires	Wire included in option EKHWS*			
	For connection with R6T	Quantity	2			
		Remark	Minimum 0.75 mm ²			
	A3P	Quantity	4			
		Type of wires	Select diameter and type according to national and local regulations			
	M2S	Quantity	2			
		Type of wires	Select diameter and type according to national and local regulations			
	M3S	Quantity	3			
		Type of wires	Select diameter and type according to national and local regulations			
	Quantity		2			
	Type of wires		Wire included in option EKFLSW1			
For power supply	Quantity	4G				
	Remark	See installation manual outdoor unit				
For connection with user interface	Quantity	4				
	Remark	0.75 mm ² till 1.25 mm ² (max length 200 m)				
	Type of wires	0,75 ~1,25 mm ² (P1P2)				
Preferential kWh rate power supply	Quantity	Power: 2				
	Remark	Power 6.3A				
Domestic hot water pump	Quantity	3				
	Remark	Minimum 0.75 mm ²				
Wiring connections	Domestic hot water pump	Remark	Minimum 0.75 mm ²			
Cable requirements	Cooling/ Heating output	Maximum running current A	0.3			

(1)Condition: Ta DB/WB 7°C/6°C - lWC 35°C (Dt = 5°C) |

(2)Condition: Ta DB/WB 7°C/6°C - lWC 45°C (Dt=5°C) |

(3)For more details, see operation range drawing |

(4)Depends on operation mode, refer to installation manual. |

Cooling: EW 12°C; lW 7°C; ambient conditions: 35°CDB |

Cooling: EW 23°C; lW 18°C; ambient conditions: 35°CDB |

According to EN14825

Technical specifications				EDLA09DV3	EDLA11DV3	EDLA14DV3	EDLA16DV3	
Heating capacity	Nom.		kW	9.37 (1) / 9.00 (2)	10.6 (1) / 9.82 (2)	12.0 (1) / 12.5 (2)	16.0 (1) / 16.0 (2)	
Power input	Heating	Nom.	kW	191 (1) / 2.43 (2)	2.18 (1) / 2.68 (2)	2.46 (1) / 3.42 (2)	3.53 (1) / 4.56 (2)	
COP				4.91 (1) / 3.71 (2)	4.83 (1) / 3.66 (2)	4.87 (1) / 3.64 (2)	4.53 (1) / 3.51 (2)	
Casing	Colour	Silver						
	Material	Polyester painted galvanised steel plate						
Dimensions	Unit	Height	mm	870				
		Width	mm	1,380				
		Depth	mm	460				
	Packed unit	Height	mm	1,053				
		Width	mm	1,520				
		Depth	mm	650				
Weight	Unit		kg	147				
	Packed unit		kg	164				
Packing	Material	PE wrapping foil / Carton / Wood (pallet)						
	Weight		kg	17				
Heat exchanger	Length		mm	1,136 / 1,166 / 1,195				
	Rows	Quantity		3				
		Fin pitch		mm	1.4			
	Passes	Quantity		14				
		Face area		m ²	0.950 / 0.970 / 1.00			
	Stages	Quantity		38				
		Tube type			70 Hi-XD			
	Fin	Type			WF fin			
		Treatment			Anti-corrosion treatment			

2 Specifications

1 - 4 EDLA09-16D3W1, EDLA09-16D3V3

Technical specifications					EDLA09DV3	EDLA11DV3	EDLA14DV3	EDLA16DV3				
Fan	Type	Propeller fan										
	Quantity	1										
	Discharge direction	Horizontal										
Air flow rate	Heating	High	m ³ /min	48.0	55.8	70.4	85.0					
Fan motor	Quantity	1										
	Model	Brushless DC motor										
	Speed	Steps		8								
		Heating	Nom.	rpm	400	450	550	650				
Output Drive	Output	230										
	Drive	Direct drive										
Compressor	Quantity	1										
	Model	2Y350BPAX1P#C										
Compressor PED	Type	Hermetically sealed swing compressor										
	Category	Category II										
Most critical part	Name	Accumulator										
	Ps*V		Bar*I	159								
Operation range	Heating	Ambient	Min.	°CDB	-25							
			Max.	°CDB	25 (3)							
		Water side	Min.	°C	9 (3)							
			Max.	°C	60 (3)							
	Domestic hot water	Ambient	Min.	°CDB	-25							
			Max.	°CDB	35							
		Water side	Min.	°C	25							
			Max.	°C	55 (3)							
Refrigerant	Type	R-32										
	GWP	675.0										
	Charge		kg	3.80								
	Charge		TCO2Eq	2.57								
	Control	Expansion valve										
	Circuits	Quantity	1									
Refrigerant oil	Type	FW68DA										
	Charged volume		l	135								
Defrost method	Reversed cycle											
Defrost control	Sensor for outdoor heat exchanger temperature											
Capacity control	Method	Inverter controlled										
Safety devices	Item	01	High pressure switch									
		02	Low pressure switch									
	03	Fan driver overload protector										
	04	Fuse										
	05	Compressor motor thermal protector										
Pump	Quantity	1										
	Nr of speeds	PWM										
	Nominal	Heating	kPa	106.5	102.9	976	76.7					
	ESP unit											
Power input	180											
Water side Heat exchanger	Type	Plate heat exchanger										
	Quantity	1										
	Water volume		l	2.16								
	Water flow rate	Heating	Nom.	l/min	26.9 (1) / 25.8 (2)	30.3 (1) / 28.2 (2)	34.4 (1) / 35.7 (2)	45.9 (1) / 45.9 (2)				
	Insulation material	EPDM type										
Water side Heat exchanger	Heater	50.0										
Expansion vessel	Volume	l										
	Max. water pressure	bar										
	Pre pressure	bar										
	Heater	W										
Water filter	Diameter perforations	mm										
	Material	Stainless steel										
Water circuit	Piping connections diameter	inch										
	Piping	inch										
	Piping length	Max.	OU - Tank	m	10							
	Level difference	Max.		m	5							
	Safety valve	bar										
	Drain valve / fill valve											
	Shut off valve											
	Air purge valve	Yes (Manually)										
	Minimum water volume in the system		l	50 (4)								
	Heater		W	66.0								

2 Specifications


1 - 4 EDLA09-16D3W1, EDLA09-16D3V3

2

Technical specifications			EDLA09DV3	EDLA11DV3	EDLA14DV3	EDLA16DV3		
General	Supplier/	Name and address	Daikin Europe N.V. - Zandvoordestraat 300, 8400 Oostende, Belgium					
	Manu- facturer details	Name or trademark	Daikin Europe N.V.					
	Product descrip- tion	Air-to-water heat pump		Yes				
		Brine-to-water heat pump		No				
		Heat pump combination heater		No				
		Low-temperature heat pump		No				
		Supplementary heater integrated		No				
Water-to-water heat pump		No						
LW(A) Sound power level (according to EN14825)	dB(A)	62.0						
Sound condition Ecodesign and energy label			Sound power in heating mode, measured according to the EN12102 under conditions of the EN14825					
Space heating general	Air to water unit	Rated airflow (outdoor)	m ³ /h	2,880	3,350	4,220	5,100	
		Other	Capacity control	Inverter				
		Pck (Crankcase heater mode)	kW	0.000				
		Poff (Off mode)	kW	0.023				
		Psb (Standby mode)	kW	0.023				
		Pto (Thermostat off)	kW	0.023				
Space heating 	Average climate water outlet 55°C	General	Annual energy consumption	kWh	5,488	6,218	6,735	7,444
			ηs (Seasonal space heating efficiency)	%	133	130	132	130
			Prated at -10°C	kW	9.0	10.0	11.0	12.0
			Qhe Annual ener- gy consumption (GCV)	Gj	20	22	24	27

2 Specifications

1 - 4 EDLA09-16D3W1, EDLA09-16D3V3

Technical specifications				EDLA09DV3	EDLA11DV3	EDLA14DV3	EDLA16DV3
Space heating 	Average climate water outlet 55°C	General	SCOP	3.39	3.32	3.37	3.33
			Seasonal space heating eff. class	A++			
		A Condition (-7°CDB/-8°CWB)	Cdh (Degradation heating)	10			
			COPd	2.09	190	2.02	195
			Pdh kW	8.5	9.3	9.4	
			PERd %	83.6	76.0	80.8	78.0
		B Condition (2°CDB/1°CWB)	Cdh (Degradation heating)	10			
			COPd	3.28	3.25	3.28	3.27
			Pdh kW	5.0	5.4	6.2	6.9
			PERd %	131.2	130.0	131.2	130.8
		C Condition (7°CDB/6°CWB)	Cdh (Degradation heating)	10			
			COPd	4.80	4.81	4.88	4.93
			Pdh kW	4.4			
			PERd %	192.0	192.4	195.2	197.2
		D Condition (12°CDB/11°CWB)	Cdh (Degradation heating)	10			
			COPd	6.45	6.41	6.58	6.60
			Pdh kW	5.3			
			PERd %	258.0	256.4	263.2	264.0
		Tol (temperature operating limit)	COPd	1.70	1.64	1.70	1.67
			Pdh kW	6.8	7.6	7.8	8.0
			PERd %	68.0	65.6	68.0	66.8
			TOL °C	-10			
			WTOL °C	55			
Rated heat output supplementary capacity	Psup (at Tdesign -10°C) kW	2.2	2.4	3.2	4.1		
Cold climate water outlet 55°C	General	Tbiv COPd	192	190	2.09	2.13	
		Pdh kW	8.8	9.3	9.4	10.1	
		PERd %	76.8	76.0	83.6	85.2	
		Tbiv °C	-8	-7	-6	-5	
		Annual energy consumption kWh	7,427	8,247	8,858	9,650	
Warm climate water outlet 55°C	General	ηs (Seasonal space heating efficiency) %	117		119	120	
		Prated at -22°C kW	9.0	10.0	11.0	12.0	
		Qhe Annual energy consumption (GCV) GJ	27	30	32	35	
		Annual energy consumption kWh	2,921	3,184	3,792		
		ηs (Seasonal space heating efficiency) %	162	165	168		
Cold climate water outlet 55°C	B Condition (2°CDB/1°CWB)	Prated at 2°C kW	9.0	10.0	12.1		
		Qhe Annual energy consumption (GCV) GJ	11		14		
		Cdh (Degradation heating)	10				

2 Specifications

1 - 4 EDLA09-16D3W1, EDLA09-16D3V3

2

Technical specifications				EDLA09DV3	EDLA11DV3	EDLA14DV3	EDLA16DV3	
Space heating	Warm climate water outlet 55°C	B Condition (2°CDB/1°CWB)	COPd	2.12	2.18	2.17		
			Pdh kW	9.0	9.8			
			PERd %	84.8	87.2	86.8		
		C Condition (7°CDB/6°CWB)	Cdh (Degradation heating)	10				
			COPd	3.65	3.74	3.83		
			Pdh kW	6.2		76		
		D Condition (12°CDB/11°CWB)	PERd %	146.0	149.6	153.2		
			Cdh (Degradation heating)	10				
			COPd	5.68		5.69		
		Average climate water outlet 35°C	Tbiv (bivalent temperature)	Pdh kW	2.12	2.18	2.40	
	PERd %			9.0	9.8	110		
	Tbiv °C			84.8	87.2	96.0		
	General		Annual energy consumption kWh	3,939	4,456	4,923	5,366	
			ηs (Seasonal space heating efficiency) %	186	182			
			Prated at -10°C kW	9.0	10.0	11.0	12.0	
			Qhe Annual energy consumption (GCV) GJ	14	16	18	19	
			SCOP	4.72	4.64	4.62		
			Seasonal space heating eff. class	A+++				
			A Condition (-7°CDB/-8°CWB)	COPd	3.07	3.03	2.95	2.87
	Pdh kW	8.5		9.2	10.1	11.2		
PERd %	122.8	121.2		118.0	114.8			
B Condition (2°CDB/1°CWB)	Cdh (Degradation heating)	10						
	COPd	4.52	4.37	4.35	4.33			
	Pdh kW	4.5	5.5	6.1	6.7			
C Condition (7°CDB/6°CWB)	PERd %	180.8	174.8	174.0	173.2			
	Cdh (Degradation heating)	10						
	COPd	6.78	6.74	6.70	6.83			
D Condition (12°CDB/11°CWB)	Pdh kW	4.7	4.6	4.7				
	PERd %	271.2	269.6	268.0	273.2			
	Cdh (Degradation heating)	10						
Tol (temperature operating limit)	COPd	8.75	8.54	8.65	8.82			
	Pdh kW	5.5	5.4	5.5				
	PERd %	350.0	341.6	346.0	352.8			
Tol (temperature operating limit)	COPd	2.64	2.58	2.51	2.48			

2 Specifications

1 - 4 EDLA09-16D3W1, EDLA09-16D3V3

Technical specifications				EDLA09DV3	EDLA11DV3	EDLA14DV3	EDLA16DV3	
Space heating 	Average climate water outlet 35°C	Tol (temperature operating limit)	Pdh kW	8.3	10.1	11.2	11.8	
			PERd %	105.6	103.2	100.4	99.2	
			TOL °C			-10		
			WTOL °C			35		
		Tbiv (bivalent temperature)	COPd	Pdh kW	2.75	2.58	2.51	2.48
				PERd %	8.7	10.1	11.2	11.8
				Tbiv °C	110.0	103.2	100.4	99.2
					-9		-10	
		Rated heat output supplementary capacity	Psup (at Tdesign -10°C)	kW	0.7		0.0	
	Cold climate water outlet 35°C	General	Annual energy consumption	kWh	5,402	5,783	6,317	7,296
			ηs (Seasonal space heating efficiency)	%	161	168	169	159
			Prated at -22°C	kW		10.0	11.0	12.0
			Qhe Annual energy consumption (GCV)	Gj	19	21	23	26
	Warm climate water outlet 35°C	General	Annual energy consumption	kWh	2,039	2,230	2,435	2,675
			ηs (Seasonal space heating efficiency)	%	233	237	238	237
			Prated at 2°C	kW	9.0	10.0	11.0	12.0
			Qhe Annual energy consumption (GCV)	Gj	7	8	9	10
	B Condition (2°CDB/1°CWB)	Cdh (Degradation heating)	COPd			10		
			Pdh kW	3.36	3.30	3.45	3.30	
			PERd %	9.0	10.3	10.8	11.9	
			134.4	132.0	138.0	132.0		
C Condition (7°CDB/6°CWB)	Cdh (Degradation heating)	COPd			10			
		Pdh kW	5.59	5.70	5.77	5.64		
		PERd %	5.9	6.7	7.4	8.1		
			223.6	228.0	230.8	225.6		
D Condition (12°CDB/1°CWB)	Cdh (Degradation heating)	COPd		7.87		7.73		
		Pdh kW			5.2			
		PERd %		314.8		309.2		
			3.36	3.30	3.45	3.30		
Tbiv (bivalent temperature)	COPd	Pdh kW	9.0	10.3	10.8	11.9		
		PERd %	134.4	132.0	138.0	132.0		
					2			
					VI			
Control systems	Class of temperature control							
	Contribution to seasonal space heating efficiency %						4	

Electrical specifications				EDLA09DV3	EDLA11DV3	EDLA14DV3	EDLA16DV3
Compressor	Starting method					Inverter	
Pump	Type					PWM	
Compressor component	Main power supply	Phase				1~	
		Voltage	V			230	
		Voltage range	Min. %			-10	
		Max. %			10		
Power supply	Name					V3	
	Phase					1~	
	Frequency					50	
	Voltage					230	
Voltage range	Min.					-10	
	Max.					10	
Current	Maximum running current	Heating	A			30.8	
		Recommended fuses					32

2 Specifications

1 - 4 EDLA09-16D3W1, EDLA09-16D3V3

2

Electrical specifications			EDLA09DV3	EDLA11DV3	EDLA14DV3	EDLA16DV3
Wiring connections	Optional domestic hot water tank + Q2L	Quantity	3G			
		Type of wires	Minimum 2.5 mm ²			
	R5T	Quantity	2			
		Type of wires	Wire included in option EKHWS*			
	For connection with R6T	Quantity	2			
		Remark	Minimum 0.75 mm ²			
	A3P	Quantity	4			
		Type of wires	Select diameter and type according to national and local regulations			
	M2S	Quantity	2			
		Type of wires	Select diameter and type according to national and local regulations			
	M3S	Quantity	3			
		Type of wires	Select diameter and type according to national and local regulations			
	Quantity		2			
	Type of wires		Wire included in option EKFLSW1			
	For power supply	Quantity	2G			
Remark		See installation manual outdoor unit				
For connection with user interface	Quantity	4				
	Remark	0.75 mm ² till 1.25 mm ² (max length 200 m)				
	Type of wires	0,75 ~1,25 mm ² (P1P2)				
Preferential kWh rate power supply	Quantity	Power: 2				
	Remark	Power 6.3A				
Domestic hot water pump	Quantity	3				
	Remark	Minimum 0.75 mm ²				
Wiring connections	Domestic hot water pump	Remark	Minimum 0.75 mm ²			
Cable requirements	Cooling/ Heating output	Maximum running current	A	0.3		

(1)Condition: Ta DB/WB 7°C/6°C - lWC 35°C (Dt = 5°C) |

(2)Condition: Ta DB/WB 7°C/6°C - lWC 45°C (Dt=5°C) |

(3)For more details, see operation range drawing |

(4)Depends on operation mode, refer to installation manual. |

Cooling: EW 12°C; lW 7°C; ambient conditions: 35°CDB |

Cooling: EW 23°C; lW 18°C; ambient conditions: 35°CDB |

According to EN14825

Technical specifications			EDLA09D3W1	EDLA11D3W1	EDLA14D3W1	EDLA16D3W1
Heating capacity	Nom.	kW	9.37 (1) / 9.00 (2)	10.6 (1) / 9.82 (2)	12.0 (1) / 12.5 (2)	16.0 (1) / 16.0 (2)
Heater capacity	Step 1	kW	3			
Power input	Heating	Nom.	191 (1) / 2.43 (2)	2.18 (1) / 2.68 (2)	2.46 (1) / 3.42 (2)	3.53 (1) / 4.56 (2)
COP			4.91 (1) / 3.71 (2)	4.83 (1) / 3.66 (2)	4.87 (1) / 3.64 (2)	4.53 (1) / 3.51 (2)
Casing	Colour		Silver			
	Material		Polyester painted galvanised steel plate			
Dimensions	Unit	Height	870			
		Width	1,380			
		Depth	460			
	Packed unit	Height	1,053			
		Width	1,520			
		Depth	650			
Weight	Unit	kg	149			
	Packed unit	kg	166			
Packing	Material		PE wrapping foil / Carton / Wood (pallet)			
	Weight	kg	17			

2 Specifications

1 - 4 EDLA09-16D3W1, EDLA09-16D3V3

Technical specifications					EDLA09D3W1	EDLA11D3W1	EDLA14D3W1	EDLA16D3W1	
Heat exchanger	Length	mm			1,136 / 1,166 / 1,195				
	Rows	Quantity			3				
	Fin pitch	mm			1.4				
	Passes	Quantity			13				
	Face area	m ²			0.950 / 0.970 / 100				
	Stages	Quantity			38				
	Empty tubeplate hole	Quantity			2				
	Tube type				70 Hi-XD				
	Fin	Type				WF fin			
			Treatment				Anti-corrosion treatment		
Fan	Type				Propeller fan				
	Quantity				1				
	Discharge direction				Horizontal				
	Air flow rate	Heating	High	m ³ /min	48.0	55.8	70.4	85.0	
Fan motor	Quantity				1				
	Model				Brushless DC motor				
	Speed	Steps			8				
		Heating	Nom.	rpm	400	450	550	650	
	Output	W			234				
Compressor	Drive				Direct drive				
	Quantity				1				
	Model				2Y350BPAY1P#C				
PED	Type				Hermetically sealed swing compressor				
	Category				Category II				
Operation range	Heating	Ambient	Min.	°CDB	-25				
			Max.	°CDB	35				
	Water side	Ambient	Min.	°C	15 (3)				
			Max.	°C	60 (3)				
	Domestic hot water	Ambient	Min.	°CDB	-25				
Max.			°CDB	35					
Water side		Min.	°C	25					
		Max.	°C	55 (3)					
Refrigerant	Type				R-32				
	GWP				675.0				
	Charge	kg			3.80				
	Charge Control	TCO2Eq			2.57				
	Circuits	Quantity				Expansion valve			
						1			
Refrigerant oil	Type				FW68DA				
	Charged volume	l			135				
Defrost method				Reversed cycle					
Defrost control				Sensor for outdoor heat exchanger temperature					
Capacity control	Method				Inverter controlled				
Safety devices	Item	01				High pressure switch			
		02				Low pressure switch			
	03				Fan driver overload protector				
	04				Fuse				
	05				Compressor motor thermal protector				
Pump	Quantity				1				
	Nr of speeds				PWM				
	Nominal Heating ESP unit	kPa			106.9	102.7	96.5	71.4	
	Power input	W			180				
Water side Heat exchanger	Type				Plate heat exchanger				
	Quantity				1				
	Water volume	l			2.16				
Water side Heat exchanger	Water flow rate	Heating	Nom.	l/min	26.9 (1) / 25.8 (2)	30.3 (1) / 28.2 (2)	34.4 (1) / 35.7 (2)	45.9 (1) / 45.9 (2)	
			Insulation material				EPDM type		
	Heater	W			50.0				
Expansion vessel	Volume	l			8				
	Max. water pressure	bar			4				
	Pre pressure	bar			1				
	Heater	W			65				
Water filter	Diameter perforations	mm			0.8				
	Material				Stainless steel				

2 Specifications

1 - 4 EDLA09-16D3W1, EDLA09-16D3V3

2

Technical specifications				EDLA09D3W1	EDLA11D3W1	EDLA14D3W1	EDLA16D3W1	
Water circuit	Piping connections diameter	inch		G 1" (male)				
	Piping	inch		1-1/4"				
	Piping Max. length	OU - Tank	m	10				
	Level dif- ference	Max.	m	5				
	Safety valve		bar	3				
	Drain valve / fill valve			Yes				
	Shut off valve			Yes				
	Air purge valve			Yes				
	Minimum water volume in the system	l		20 (4)				
	Heater		W	66.0				
General	Supplier/ Manu- facturer details	Name and address		Daikin Europe N.V. - Zandvoordestraat 300, 8400 Oostende, Belgium				
		Name or trademark		Daikin Europe N.V.				
	Product descrip- tion	Air-to-water heat pump			Yes			
		Brine-to-water heat pump			No			
		Heat pump combination heater			No			
		Low-temperature heat pump			No			
		Supplementary heater integrated			Yes			
Water-to-water heat pump			No					
LW(A) Sound power level (according to EN14825)		dB(A)	62.0					
Sound condition Ecodesign and energy label				Sound power in heating mode, measured according to the EN12102 under conditions of the EN14825				
Space heating general	Air to water unit	Rated airflow (outdoor)	m ³ /h	2,880	3,350	4,220	5,100	
		Other	Capacity control		Inverter			
		Pck (Crankcase heater mode)	kW	0.000				
		Poff (Off mode)	kW	0.023				
		Psb (Standby mode)	kW	0.023				
		Pto (Thermostat off)	kW	0.023				
	Inte- grated supplementary heater	Type of energy input		Electrical				
Space heating	Average climate water outlet 55°C	General	Annual energy consumption	kWh	5,488	6,218	6,735	7,444

2 Specifications

1 - 4 EDLA09-16D3W1, EDLA09-16D3V3

Technical specifications				EDLA09D3W1	EDLA11D3W1	EDLA14D3W1	EDLA16D3W1	
Space heating Average climate water outlet 55°C	General	ηs (Seasonal space heating efficiency)	%	133	130	132	130	
		Prated at -10°C	kW	9.0	10.0	110	12.0	
		Qhe Annual energy consumption (GCV)	Gj	20	22	24	27	
		SCOP		3.39	3.32	3.37	3.33	
		Seasonal space heating eff. class		A++				
		A Condition (-7°CDB/-8°CWB)	Cdh (Degradation heating)		10			
			COPd		2.09	190	2.02	195
			Pdh	kW	8.5	9.3	9.4	
			PERd	%	83.6	76.0	80.8	78.0
		B Condition (2°CDB/1°CWB)	Cdh (Degradation heating)		10			
			COPd		3.28	3.25	3.28	3.27
			Pdh	kW	5.0	5.4	6.2	6.9
			PERd	%	131.2	130.0	131.2	130.8
		C Condition (7°CDB/6°CWB)	Cdh (Degradation heating)		10			
			COPd		4.80	4.81	4.88	4.93
			Pdh	kW	4.4			
			PERd	%	192.0	192.4	195.2	197.2
		D Condition (12°CDB/11°CWB)	Cdh (Degradation heating)		10			
			COPd		6.45	6.41	6.58	6.60
			Pdh	kW	5.3			
			PERd	%	258.0	256.4	263.2	264.0
		Tol (temperature operating limit)	COPd		1.70	1.64	1.70	1.67
			Pdh	kW	6.8	7.6	7.8	8.0
			PERd	%	68.0	65.6	68.0	66.8
			TOL	°C	-10			
			WTOL	°C	55			
		Rated heat output supplementary capacity	Psup (at Tdesign -10°C)	kW	2.2	2.4	3.2	4.1
Tbiv (bivalent temperature)	COPd			1.92	1.90	2.09	2.13	
	Pdh		kW	8.8	9.3	9.4	10.1	
	PERd		%	76.8	76.0	83.6	85.2	
	Tbiv		°C	-8	-7	-6	-5	
Cold climate water outlet 55°C	General	Annual energy consumption	kWh	7,142	7,899	8,858	9,561	
		ηs (Seasonal space heating efficiency)	%	121	122	119	121	
		Prated at -22°C	kW	9.0	10.0	110	12.0	
		Qhe Annual energy consumption (GCV)	Gj	26	28	32	34	
		Annual energy consumption	kWh	2,921	3,184	3,792		
Warm climate water outlet 55°C	General	ηs (Seasonal space heating efficiency)	%	162	165	168		

2 Specifications

1 - 4 EDLA09-16D3W1, EDLA09-16D3V3

2

Technical specifications				EDLA09D3W1	EDLA11D3W1	EDLA14D3W1	EDLA16D3W1		
Space heating	Warm climate water outlet 55°C	General	Prated at 2°C	kW	9.0	10.0		12.1	
			Qhe Annual energy consumption (GCV)	Gj	11			14	
		B Condition (2°CDB/1°CWB)	CdH (Degradation heating)			10			
			COPd		2.12	2.18		2.17	
			Pdh	kW	9.0		9.8		
		B/1°CWB)	PERd	%	84.8	87.2		86.8	
			C Condition (7°CDB/6°CWB)	CdH (Degradation heating)			10		
				COPd		3.65	3.74		3.83
		B/6°CWB)	Pdh	kW		6.2		7.6	
			PERd	%	146.0	149.6		153.2	
	D Condition (12°CDB/11°CWB)	CdH (Degradation heating)			10				
		COPd		5.68			5.69		
		Pdh	kW		5.0				
	Average climate water outlet 35°C	Tbiv (bivalent temperature)	PERd	%	227.2			227.6	
			COPd		2.12	2.18		2.40	
			Pdh	kW	9.0	9.8		11.0	
		Tbiv	PERd	%	84.8	87.2		96.0	
			Tbiv	°C	2			3	
		General	Annual energy consumption		kWh	3,939	4,456	4,923	5,366
			ηs (Seasonal space heating efficiency)	%	186		182		
Prated at -10°C			kW	9.0	10.0	11.0	12.0		
Qhe Annual energy consumption (GCV)			Gj	14	16	18	19		
SCOP				4.72	4.64		4.62		
Seasonal space heating eff. class				A+++					
A Condition (-7°CDB/-8°CWB)	COPd			3.07	3.03	2.95	2.87		
	Pdh	kW	8.5	9.2	10.1	11.2			
	PERd	%	122.8	121.2	118.0	114.8			
B Condition (2°CDB/1°CWB)	CdH (Degradation heating)			10					
	COPd		4.52	4.37	4.35	4.33			
	Pdh	kW	4.5	5.5	6.1	6.7			
B/1°CWB)	PERd	%	180.8	174.8	174.0	173.2			
	C Condition (7°CDB/6°CWB)	CdH (Degradation heating)			10				
		COPd		6.78	6.74	6.70	6.83		
B/6°CWB)	Pdh	kW	4.7	4.6		4.7			
	PERd	%	271.2	269.6	268.0	273.2			
D Condition (12°CDB/11°CWB)	CdH (Degradation heating)			10					
	COPd		8.75	8.54	8.65	8.82			

2 Specifications

1 - 4 EDLA09-16D3W1, EDLA09-16D3V3

Technical specifications				EDLA09D3W1	EDLA11D3W1	EDLA14D3W1	EDLA16D3W1		
Space heating 	Average climate water outlet 35°C	D Condition (12°CDB/11°CWB)	Pdh	kW	5.5	5.4		5.5	
			PERd	%	350.0	341.6	346.0	352.8	
			Tol (temperature operating limit)	COPd	kW	2.64	2.58	2.51	2.48
				Pdh	kW	8.3	10.1	11.2	11.8
				PERd	%	105.6	103.2	100.4	99.2
				TOL	°C	-10			
				WTOL	°C	35			
			Tbiv (bivalent temperature)	COPd	kW	2.75	2.58	2.51	2.48
				Pdh	kW	8.7	10.1	11.2	11.8
				PERd	%	110.0	103.2	100.4	99.2
				Tbiv	°C	-9			
						-10			
			Rated heat output supplementary capacity	Psup (at Tdesign -10°C)	kW	0.7			
						0.0			
		Cold climate water outlet 35°C	General	Annual energy consumption	kWh	5,031	5,783	6,317	7,296
ηs (Seasonal space heating efficiency)	%			173	168	169	159		
Prated at -22°C	kW			9.0	10.0	11.0	12.0		
Qhe Annual energy consumption (GCV)	Gj			18	21	23	26		
Warm climate water outlet 35°C	General	Annual energy consumption	kWh	2,039	2,230	2,435	2,675		
		ηs (Seasonal space heating efficiency)	%	233	237	238	237		
		Prated at 2°C	kW	9.0	10.0	11.0	12.0		
		Qhe Annual energy consumption (GCV)	Gj	7	8	9	10		
B Condition (2°CDB/1°CWB)	COPd	CdH (Degradation heating)		10					
				3.36	3.30	3.45	3.30		
			Pdh	kW	9.0	10.3	10.8	11.9	
C Condition (7°CDB/6°CWB)	COPd	CdH (Degradation heating)		10					
				5.59	5.70	5.77	5.64		
			Pdh	kW	5.9	6.7	7.4	8.1	
D Condition (12°CDB/11°CWB)	COPd	CdH (Degradation heating)		10					
				787		773			
			Pdh	kW	5.2				
	PERd			314.8		309.2			
				3.36	3.30	3.45	3.30		
			Pdh	kW	9.0	10.3	10.8	11.9	
Tbiv (bivalent temperature)	COPd			2					
				134.4	132.0	138.0	132.0		
			Tbiv	°C					
Control systems	Class of temperature control			VI					
Control systems	Contribution to seasonal space heating efficiency			4					

Electrical specifications				EDLA09D3W1	EDLA11D3W1	EDLA14D3W1	EDLA16D3W1
Compressor	Starting method			Inverter			
Pump	Type			PWM			
Compressor component	Main power supply	Phase		3N~			
		Voltage	V	400			
		Min.	%	-10			
	Max.	%	10				

2 Specifications

1 - 4 EDLA09-16D3W1, EDLA09-16D3V3

2

Electrical specifications				EDLA09D3W1	EDLA11D3W1	EDLA14D3W1	EDLA16D3W1	
Hydraulic component	Back-up heater	Type				3V3		
		Power	Phase			1~		
	current supply	Frequency	Hz			50		
		Voltage	V			230		
		Running current	Back-up heater	A		13.0		
	Voltage range	Min.	%			-10		
		Max.	%			10		
Wiring connections	Type of wires		Select diameter and type according to national and local regulations					
Power supply	Name				W1			
	Phase				3~			
	Frequency	Hz			50			
	Voltage	V			400			
Voltage range	Min.	%			-10			
	Max.	%			10			
Current	Maximum running current	Heating	A			14.0		
	Recommended fuses		A			16		
Wiring connections	Optional domestic hot water tank + Q2L	Quantity				3G		
		Type of wires				Minimum 2.5 mm ²		
	R5T	Quantity				2		
		Type of wires				Wire included in option EKHWS*		
	For connection with R6T	Quantity				2		
		Remark				Minimum 0.75 mm ²		
	A3P	Quantity				4		
		Type of wires				Select diameter and type according to national and local regulations		
	M2S	Quantity				2		
		Type of wires				Select diameter and type according to national and local regulations		
M3S	Quantity				3			
	Type of wires				Select diameter and type according to national and local regulations			
Wiring connections	For power supply	Quantity				4G		
		Remark				See installation manual outdoor unit		
	For connection with user interface	Quantity				4		
		Remark				0.75 mm ² till 125 mm ² (max length 200 m)		
	Preferential kWh rate power supply	Quantity				Power: 2		
		Remark				Power 6.3A		
	Domestic hot water pump	Quantity				3		
		Remark				Minimum 0.75 mm ²		
	Cable requirements	Cooling/ Heating output	Maximum running current	A			0.3	

(1)Condition: Ta DB/WB 7°C/6°C - lWC 35°C (DT = 5°C) |

(2)Condition: Ta DB/WB 7°C/6°C - lWC 45°C (Dt=5°C) |

(3)For more details, see operation range drawing |

(4)Depends on operation mode, refer to installation manual. |

Cooling: EW 12°C; lW 7°C; ambient conditions: 35°CDB |

Cooling: EW 23°C; lW 18°C; ambient conditions: 35°CDB |

According to EN14825

Technical specifications				EDLA09D3V3	EDLA11D3V3	EDLA14D3V3	EDLA16D3V3
Heating capacity	Nom.		kW	9.37 (1) / 9.00 (2)	10.6 (1) / 9.82 (2)	12.0 (1) / 12.5 (2)	16.0 (1) / 16.0 (2)
Heater capacity	Step 1		kW			3	
Power input	Heating	Nom.	kW	191 (1) / 2.43 (2)	2.18 (1) / 2.68 (2)	2.46 (1) / 3.42 (2)	3.53 (1) / 4.56 (2)
COP				4.91 (1) / 3.71 (2)	4.83 (1) / 3.66 (2)	4.87 (1) / 3.64 (2)	4.53 (1) / 3.51 (2)
Casing	Colour			Silver			
	Material			Polyester painted galvanised steel plate			

2 Specifications

1 - 4 EDLA09-16D3W1, EDLA09-16D3V3

Technical specifications					EDLA09D3V3	EDLA11D3V3	EDLA14D3V3	EDLA16D3V3
Dimensions	Unit	Height	mm		870			
		Width	mm		1,380			
		Depth	mm		460			
	Packed unit	Height	mm		1,053			
		Width	mm		1,520			
		Depth	mm		650			
Weight	Unit		kg	149				
	Packed unit		kg	166				
Packing	Material	PE wrapping foil / Carton / Wood (pallet)						
	Weight		kg	17				
Heat exchanger	Length		mm	1,136 / 1,166 / 1,195				
	Rows	Quantity		3				
	Fin pitch		mm	1.4				
	Passes	Quantity		14				
	Face area		m ²	0.950 / 0.970 / 1.00				
	Stages	Quantity		38				
	Tube type			70 Hi-XD				
	Fin	Type			WF fin			
		Treatment			Anti-corrosion treatment			
	Fan	Type	Propeller fan					
Quantity		1						
Discharge direction		Horizontal						
Air flow rate		Heating	High	m ³ /min	48.0	55.8	70.4	85.0
Fan motor		Quantity	1					
	Model	Brushless DC motor						
	Speed	Steps		8				
		Heating	Nom.	rpm	400	450	550	650
	Output		W	230				
	Drive	Direct drive						
Compressor	Quantity	1						
Compressor	Model	2Y350BPAX1#C						
	Type	Hermetically sealed swing compressor						
PED	Category	Category II						
	Most critical part	Name		Accumulator				
		Ps*V	Bar*I	159				
Operation range	Heating	Ambient	Min.	°CDB	-25			
			Max.	°CDB	35			
	Water side	Ambient	Min.	°C	15 (3)			
			Max.	°C	60 (3)			
	Domestic hot water	Ambient	Min.	°CDB	-25			
			Max.	°CDB	35			
	Water side	Min.	°C	25				
		Max.	°C	55 (3)				
Refrigerant	Type	R-32						
	GWP	675.0						
	Charge		kg	3.80				
	Charge		TCO2Eq	2.57				
	Control	Expansion valve						
	Circuits	Quantity	1					
Refrigerant oil	Type	FW68DA						
	Charged volume		l	135				
Defrost method	Reversed cycle							
Defrost control	Sensor for outdoor heat exchanger temperature							
Capacity control	Method	Inverter controlled						
Safety devices	Item	01	High pressure switch					
		02	Low pressure switch					
		03	Fan driver overload protector					
		04	Fuse					
		05	Compressor motor thermal protector					
Pump	Quantity	1						
	Nr of speeds	PWM						
	Nominal ESP unit	Heating		kPa	106.9	102.7	96.5	71.4
	Power input			W	180			
Water side Heat exchanger	Type	Plate heat exchanger						
	Quantity	1						
	Water volume		l	2.16				
	Water flow rate	Heating	Nom.	l/min	26.9 (1) / 25.8 (2)	30.3 (1) / 28.2 (2)	34.4 (1) / 35.7 (2)	45.9 (1) / 45.9 (2)
Water side Heat exchanger	Insulation material	EPDM type						
	Heater		W	50.0				

2 Specifications

1 - 4 EDLA09-16D3W1, EDLA09-16D3V3

2

Technical specifications				EDLA09D3V3	EDLA11D3V3	EDLA14D3V3	EDLA16D3V3	
Expansion vessel	Volume		l	8				
	Max. water pressure		bar	4				
	Pre pressure		bar	1				
	Heater		W	65				
Water filter	Diameter perforations		mm	0.8				
	Material			Stainless steel				
Water circuit	Piping connections diameter		inch	G 1" (male)				
	Piping		inch	1-1/4"				
	Piping Max. length	OU - Tank	m	10				
	Level difference	Max.	m	5				
	Safety valve		bar	3				
	Drain valve / fill valve			Yes				
	Shut off valve			Yes				
	Air purge valve			Yes				
	Minimum water volume in the system		l	20 (4)				
	Heater		W	66.0				
	General	Supplier/ Manufacturer details	Name and address		Daikin Europe N.V. - Zandvoordestraat 300, 8400 Oostende, Belgium			
		Name or trademark		Daikin Europe N.V.				
Product description		Air-to-water heat pump			Yes			
		Brine-to-water heat pump			No			
		Heat pump combination heater			No			
		Low-temperature heat pump			No			
		Supplementary heater integrated			Yes			
Water-to-water heat pump				No				
LW(A) Sound power level (according to EN14825)		dB(A)	62.0					
Sound condition Ecodesign and energy label				Sound power in heating mode, measured according to the EN 12102 under conditions of the EN 14825				
Space heating general	Air to water unit	Rated airflow (outdoor)	m ³ /h	2,880	3,350	4,220	5,100	
		Other	Capacity control		Inverter			
		Pck (Crankcase heater mode)	kW	0.000				
		Poff (Off mode)	kW	0.023				
		Psb (Standby mode)	kW	0.023				
		Pto (Thermostat off)	kW	0.023				
	Integrated supplementary heater	Type of energy input		Electrical				
Space heating	Average climate water outlet 55°C	General	Annual energy consumption	kWh	5,488	6,218	6,735	7,444
			ηs (Seasonal space heating efficiency)	%	133	130	132	130

2 Specifications

1 - 4 EDLA09-16D3W1, EDLA09-16D3V3

Technical specifications				EDLA09D3V3	EDLA11D3V3	EDLA14D3V3	EDLA16D3V3		
Space heating Average climate water outlet 55°C	General	Prated at -10°C	kW	9.0	10.0	11.0	12.0		
		Qhe Annual energy consumption (GCV)	Gj	20	22	24	27		
		SCOP		3.39	3.32	3.37	3.33		
		Seasonal space heating eff. class		A++					
		A Condition (-7°CDB/-8°CWB)	Cdh (Degradation heating)		10				
			COPd		2.09	1.90	2.02	1.95	
			Pdh	kW	8.5	9.3	9.4		
			PERd	%	83.6	76.0	80.8	78.0	
		B Condition (2°CDB/1°CWB)	Cdh (Degradation heating)		10				
			COPd		3.28	3.25	3.28	3.27	
			Pdh	kW	5.0	5.4	6.2	6.9	
			PERd	%	131.2	130.0	131.2	130.8	
		C Condition (7°CDB/6°CWB)	Cdh (Degradation heating)		10				
			COPd		4.80	4.81	4.88	4.93	
			Pdh	kW	4.4				
			PERd	%	192.0	192.4	195.2	197.2	
		D Condition (12°CDB/11°CWB)	Cdh (Degradation heating)		10				
			COPd		6.45	6.41	6.58	6.60	
			Pdh	kW	5.3				
			PERd	%	258.0	256.4	263.2	264.0	
		Tol (temperature operating limit)	COPd		1.70	1.64	1.70	1.67	
			Pdh	kW	6.8	7.6	7.8	8.0	
			PERd	%	68.0	65.6	68.0	66.8	
			TOL	°C	-10				
	WTOL	°C	55						
Rated heat output supplementary capacity	Psup (at Tdesign -10°C)	kW	2.2	2.4	3.2	4.1			
Tbiv (bivalent temperature)	COPd		1.92	1.90	2.09	2.13			
	Pdh	kW	8.8	9.3	9.4	10.1			
	PERd	%	76.8	76.0	83.6	85.2			
	Tbiv	°C	-8	-7	-6	-5			
	TOL	°C	-10						
Cold climate water outlet 55°C	General	Annual energy consumption	kWh	7,427	8,247	8,858	9,650		
		ηs (Seasonal space heating efficiency)	%	117					
		Prated at -22°C	kW	9.0	10.0	11.0	12.0		
		Qhe Annual energy consumption (GCV)	Gj	27	30	32	35		
Warm climate water outlet 55°C	General	Annual energy consumption	kWh	2,921	3,184	3,792			
		ηs (Seasonal space heating efficiency)	%	162	165	168			
		Prated at 2°C	kW	9.0	10.0	12.1			

2 Specifications

1 - 4 EDLA09-16D3W1, EDLA09-16D3V3

2

Technical specifications				EDLA09D3V3	EDLA11D3V3	EDLA14D3V3	EDLA16D3V3	
Space heating	Warm climate water outlet 55°C	General	Qhe Annual energy consumption (GCV)	11		14		
			B Condition (2°CDB/1°CWB)	Cdh (Degradation heating)		10		
		COPd	2.12	2.18	2.17			
		Pdh kW	9.0	9.8				
		PERd %	84.8	87.2	86.8			
		C Condition (7°CDB/6°CWB)	Cdh (Degradation heating)		10			
		COPd	3.65	3.74	3.83			
		Pdh kW	6.2	7.6				
		PERd %	146.0	149.6	153.2			
		D Condition (12°CDB/11°CWB)	Cdh (Degradation heating)		10			
	COPd	5.68		5.69				
	Pdh kW	5.0						
	PERd %	227.2		227.6				
	Tbiv (bivalent temperature)	COPd	2.12	2.18	2.40			
	Pdh kW	9.0	9.8		11.0			
	PERd %	84.8	87.2		96.0			
	Tbiv °C	2		3				
	Average climate water outlet 35°C	General	Annual energy consumption	kWh	3,939	4,456	4,923	5,366
			ηs (Seasonal space heating efficiency)	%	186	182		
		Prated at -10°C	kW	9.0	10.0	11.0	12.0	
Qhe Annual energy consumption (GCV)		Gj	14	16	18	19		
SCOP		4.72		4.64	4.62			
Seasonal space heating eff. class		A+++						
A Condition (-7°CDB/-8°CWB)		COPd	3.07	3.03	2.95	2.87		
Pdh kW		8.5	9.2	10.1	11.2			
PERd %		122.8	121.2	118.0	114.8			
B Condition (2°CDB/1°CWB)		Cdh (Degradation heating)		10				
COPd	4.52	4.37	4.35	4.33				
Pdh kW	4.5	5.5	6.1	6.7				
PERd %	180.8	174.8	174.0	173.2				
C Condition (7°CDB/6°CWB)	Cdh (Degradation heating)		10					
COPd	6.78	6.74	6.70	6.83				
Pdh kW	4.7	4.6		4.7				
PERd %	271.2	269.6	268.0	273.2				
D Condition (12°CDB/11°CWB)	Cdh (Degradation heating)		10					
COPd	8.75	8.54	8.65	8.82				
Pdh kW	5.5	5.4		5.5				

2 Specifications

1 - 4 EDLA09-16D3W1, EDLA09-16D3V3

Technical specifications				EDLA09D3V3	EDLA11D3V3	EDLA14D3V3	EDLA16D3V3	
Space heating 	Average climate water outlet 35°C	D Condition (12°CDB/1°CWB)	PERd %	350.0	3416	346.0	352.8	
		Tol (temperature operating limit)	COPd %	2.64	2.58	2.51	2.48	
			Pdh kW	8.3	10.1	11.2	11.8	
			PERd %	105.6	103.2	100.4	99.2	
			TOL °C			-10		
			WTOL °C			35		
			Tbiv (bivalent temperature)	COPd %	2.75	2.58	2.51	2.48
				Pdh kW	8.7	10.1	11.2	11.8
				PERd %	110.0	103.2	100.4	99.2
				Tbiv °C	-9		-10	
		Rated heat output supplementary capacity	Psup (at Tdesign -10°C) kW	0.7		0.0		
	Cold climate water outlet 35°C	General	Annual energy consumption	kWh	5,402	5,783	6,317	7,296
			ηs (Seasonal space heating efficiency)	%	161	168	169	159
			Prated at -22°C	kW		10.0	11.0	12.0
			Qhe Annual energy consumption (GCV)	Gj	19	21	23	26
	Warm climate water outlet 35°C	General	Annual energy consumption	kWh	2,039	2,230	2,435	2,675
			ηs (Seasonal space heating efficiency)	%	233	237	238	237
			Prated at 2°C	kW	9.0	10.0	11.0	12.0
			Qhe Annual energy consumption (GCV)	Gj	7	8	9	10
		B Condition (2°CDB/1°CWB)	CdH (Degradation heating)	COPd		3.36	3.30	3.45
Pdh kW					9.0	10.3	10.8	11.9
C Condition (7°CDB/6°CWB)		CdH (Degradation heating)	COPd		5.59	5.70	5.77	5.64
			Pdh kW		5.9	6.7	7.4	8.1
D Condition (12°CDB/11°CWB)		CdH (Degradation heating)	COPd				7.87	7.73
			Pdh kW				5.2	
	PERd %					314.8	309.2	
Tbiv (bivalent temperature)	COPd %			3.36	3.30	3.45	3.30	
				9.0	10.3	10.8	11.9	
				134.4	132.0	138.0	132.0	
						2		
Control systems	Class of temperature control			VI				
	Contribution to seasonal space heating efficiency			4				

Electrical specifications				EDLA09D3V3	EDLA11D3V3	EDLA14D3V3	EDLA16D3V3
Compressor	Starting method			Inverter			
Pump	Type			PWM			
Compressor component	Main power supply	Phase		1~			
		Voltage	V	230			
	Voltage range	Min.	%	-10			
	Max.	%	10				

2 Specifications

1 - 4 EDLA09-16D3W1, EDLA09-16D3V3

2

Electrical specifications			EDLA09D3V3	EDLA11D3V3	EDLA14D3V3	EDLA16D3V3
Hydraulic component	Back-up heater	Type	3V3			
		Power	1~			
	current supply	Phase	1~			
		Frequency	50			
		Voltage	230			
	Running current	Back-up heater	A			
			13.0			
	Voltage range	Min.	%			
		Max.	%			
	Wiring connections	Type of wires	Select diameter and type according to national and local regulations			
Power supply	Name	V3				
	Phase	1~				
	Frequency	Hz				
	Voltage	V				
Voltage range	Min.	%				
	Max.	%				
Current	Maximum running current	Heating	A			
	Recommended fuses		A			
Wiring connections	Optional domestic hot water tank + Q2L	Quantity	3G			
		Type of wires	Minimum 2.5 mm ²			
	R5T	Quantity	2			
		Type of wires	Wire included in option EKHWS*			
	For connection with R6T	Quantity	2			
		Remark	Minimum 0.75 mm ²			
	A3P	Quantity	4			
		Type of wires	Select diameter and type according to national and local regulations			
	M2S	Quantity	2			
		Type of wires	Select diameter and type according to national and local regulations			
	M3S	Quantity	3			
		Type of wires	Select diameter and type according to national and local regulations			
	Wiring connections	Quantity	2			
Type of wires		Wire included in option EKFLSW1				
Wiring connections	For power supply	Quantity	2G			
		Remark	See installation manual outdoor unit			
	For connection with user interface	Quantity	4			
		Remark	0.75 mm ² till 1.25 mm ² (max length 200 m)			
	Preferential power supply	Type of wires	0,75 ~1,25 mm ² (P1P2)			
		Quantity	Power: 2			
	Domestic hot water pump	Remark	Power 6.3A			
		Quantity	3			
Cable requirements	Remark	Minimum 0.75 mm ²				
	Cooling/ Heating output	Maximum running current	A			
			0.3			

(1)Condition: Ta DB/WB 7°C/6°C - lWC 35°C (DT = 5°C) |

(2)Condition: Ta DB/WB 7°C/6°C - lWC 45°C (Dt=5°C) |

(3)For more details, see operation range drawing |

(4)Depends on operation mode, refer to installation manual. |

Cooling: EW 12°C; lW 7°C; ambient conditions: 35°CDB |

Cooling: EW 23°C; lW 18°C; ambient conditions: 35°CDB |

According to EN14825

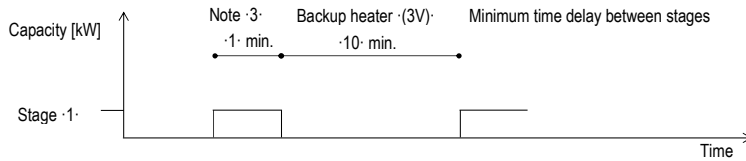
3 Electrical data

3 - 1 Electrical Data

EBLA09-16(3DW1-3DV3) / EDLA09-16(3DW1-3DV3) Electrical specifications

Backup heater	Type		3V	
	Capacity setting	kW	3	
	Capacity stage ··		1	
	Capacity stage ·1·	kW	3	
	Capacity stage ·2·	kW	-	
	Minimum time delay between stages			Note ·3·
	Power supply	Phase		1~
	(1)	Frequency	Hz	50
		Voltage	V	230 +-10%
	Current	Nominal running current		A
Zmax (backup heater) (2)			Ω	-
			Complex	-
			kVA	-

Notes	(1)	The above-mentioned power supply of the hydrobox is for the backup heater only.
	(2)	In accordance with EN/IEC 61000-3-11, it may be necessary to consult the distribution network operator to ensure that the equipment is connected only to a supply with $Z_{sys} \leq Z_{max}$.
	EN/IEC 61000-3-11	European/International Technical Standard setting the limits for voltage changes, voltage fluctuations and flicker in public low-voltage supply systems for equipment with rated current ≤ 75 A.
	EN/IEC 61000-3-12	European/International Technical Standard setting the limits for harmonic currents produced by equipment connected to public low-voltage systems with input current > 16 A and ≤ 75 A per phase.
	Zsys	System impedance



4D128962

4 Combination table

4 - 1 Combination Table

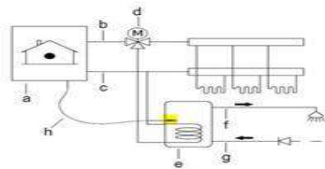
EBLA09-16(DW1-DV3) / EBLA09-16(3DW1-3DV3) / EDLA09-16(DW1-DV3) / EDLA09-16(3DW1-3DV3)

Kit availability for -E(B/D)LA*DA*.

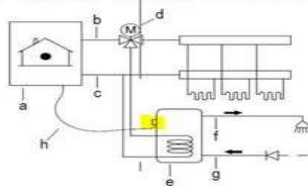
Reference	Description	Notes	E(B/D)LA(09/11/14/16)DA			
			No backup heater		Backup heater	
			Heating only	Reversible	Heating only	Reversible
			EDLA(09/11/14/16) DA(V3/W1)	EBLA(09/11/14/16) DA(V3/W1)	EDLA(09/11/14/16) DA3(V3/W1)	EBLA(09/11/14/16) DA3(V3/W1)
EKRP1HBAA	Digital I/O PCB	(1)	o	o	o	o
EKRP1AHTA	Demand PCB		o	o	o	o
BRC1HHDA*	Remote user interface		o	o	o	o
BRP069A78	WLAN cartridge	(2)	o	o	o	o
EKRELSG	Relay for Smart Grid		o	o	o	o
KRCS01-1	Remote indoor sensor	(3)	o	o	o	o
EKRSCA1	Remote sensor for outdoor	(3)	o	o	o	o
EKPCAB4	PC cable kit		o	o	o	o
EKCC8-W	Universal centralised user interface		o	o	o	o
EKHY3PART	Third-party tank connection kit for thermistor pocket	(4) (6)	o	o	o	o
EKHY3PART2	Third-party tank connection kit for thermostat contact	(5) (6)	o	o	o	o
EKLBHCB6W	Backup heater kit	(7)	o	o	-	-
EKMBHBP1	Valve kit	(7)	-	o	-	-
EKFLSW1	Flow switch	(8)	o	o	o	o
AFVALVE1	Freeze protection valve		o	o	o	o
FWXV10-15-20ATV3*	Heat pump convactor	Floor standing unit	o	o	o	o
FWXT10-15-20ATV3*	Heat pump convactor	Wall mounted type	o	o	o	o
FWXM10-15-20ATV3*	Heat pump convactor	Concealed ceiling	o	o	o	o
EKHWS150D3V3	Domestic hot water tank -LT 150 1~230V-		o	o	o	o
EKHWS180D3V3	Domestic hot water tank -LT 180 1~230V-		o	o	o	o
EKHWS200D3V3	Domestic hot water tank -LT 200 1~230V-		o	o	o	o
EKHWS250D3V3	Domestic hot water tank -LT 250 1~230V-		o	o	o	o
EKHWS300D3V3	Domestic hot water tank -LT 300 1~230V-		o	o	o	o
EKHWSU150D3V3	Domestic hot water tank -LT 150 1~230V-	(only for UK) (9)	o	o	o	o
EKHWSU180D3V3	Domestic hot water tank -LT 180 1~230V-	(only for UK) (9)	o	o	o	o
EKHWSU200D3V3	Domestic hot water tank -LT 200 1~230V-	(only for UK) (9)	o	o	o	o
EKHWSU250D3V3	Domestic hot water tank -LT 250 1~230V-	(only for UK) (9)	o	o	o	o
EKHWSU300D3V3	Domestic hot water tank -LT 300 1~230V-	(only for UK) (9)	o	o	o	o
EKHWP300B	Domestic hot water tank -HT 300-	(10) (11)	o	o	o	o
EKHWP500B	Domestic hot water tank -HT 500-	(10) (11)	o	o	o	o
EKHWP300PB	Domestic hot water tank -HT 300-	(10) (11)	o	o	o	o
EKHWP500PB	Domestic hot water tank -HT 500-	(10) (11)	o	o	o	o
BZKA7V3	Bizone kit		o	o	o	o
EKRTWA	Wired room thermostat		o	o	o	o
EKRTR1	Wireless room thermostat		o	o	o	o
EKRTETS	External temperature sensor option kit	(12)	o	o	o	o
EKWUFHTA1V3	Multi zoning kit		o	o	o	o

Notes

- (1) Additional relays to allow bivalent control in combination with an external room thermostat are field-supplied.
- (2) This option cannot be installed in certain countries. Refer to the country compliance overview of the option.
- (3) Only 1 remote sensor can be connected: indoor OR outdoor sensor.
- (4) -EKHY3PART- can be used if you have a tank in which you can insert a thermistor.



- (5) -EKHY3PART2- can be used if you have a tank in which you cannot insert a thermistor.



- (6) Conditions for third-party tank
Third-party with identical specifications as -EKHWS*.
Coil surface >1.05-m² and <3.7-m²
Tank thermistor and booster heater above heat pump coil.
- (7) Necessity to install a bypass kit -EKMBHBP1- to avoid sweat on the BUH, when the BUH is installed in combination with a reversible model.
- (8) -EKFLSW1- is obligatory for Monoblock & Mini-chiller in case Glycol is used.
- (9) Only possible in combination with -EKEXPVES-
- (10) Domestic hot water tank with solar connection
Dedicated connection kit available.
Other options -EKRS4A* Solar pump station
For the combination with -EKHWP*, refer to the combination table of -EKHWP*.
- (11) The installation of -EKBH3S* is mandatory.
As backup or for tank preheating.
For details, see the installer reference guide.
- (12) Can only be used in combination with the wireless room thermostat.

Remark

Other combinations than mentioned in this combination table are prohibited.

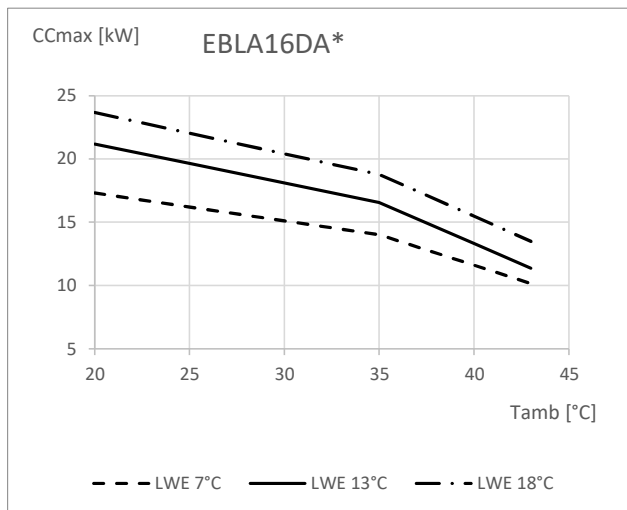
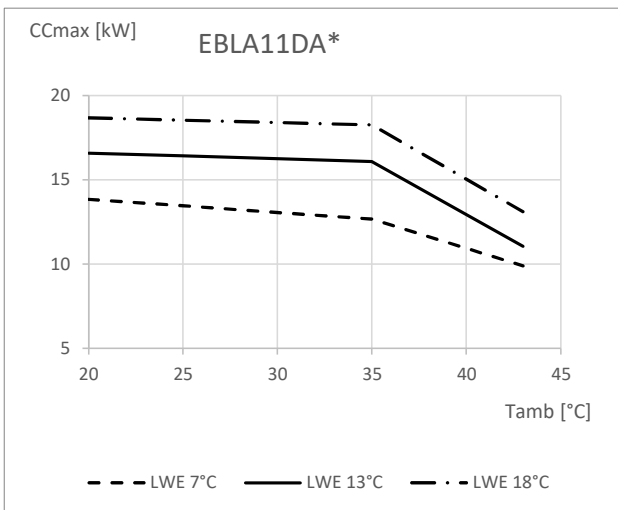
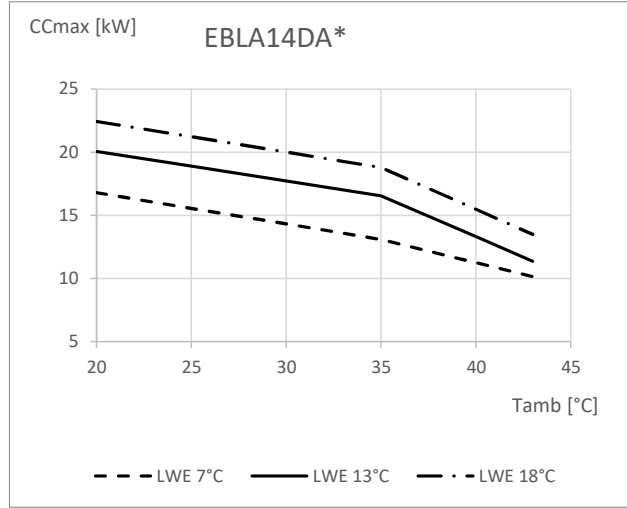
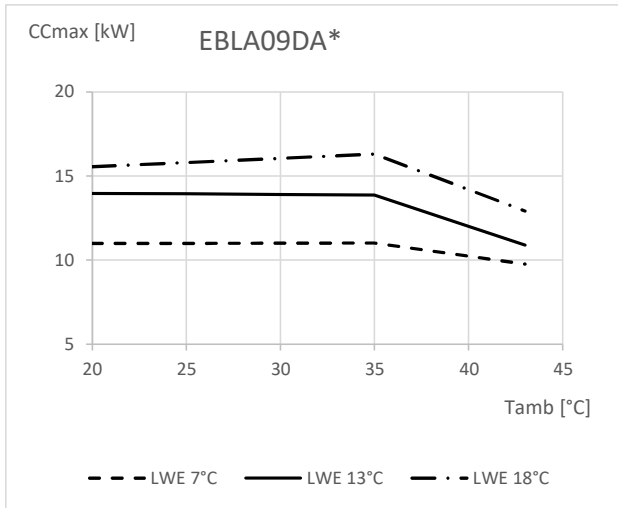
4D128949B

5 Capacity graphs

5 - 1 Cooling Capacity Graphs

EBLA09-16(DW1-DV3) / EBLA09-16(3DW1-3DV3)

Maximum cooling capacity



Symbols

CC_{max} Cooling capacity at maximum operating frequency, measured according to EN 14511.

LWE Leaving water evaporator temperature [°C]

Tamb Ambient temperature [°C DB]

Conditions

Cooling capacity

Capacity according to standard EN 14511 and valid for chilled water range ΔT = 3~8°C.

Notes

The capacity and power input is valid for ·V3· models at ·230·V and for for ·W1· models at ·400·V.

The capacity and the power input are at maximum operation.

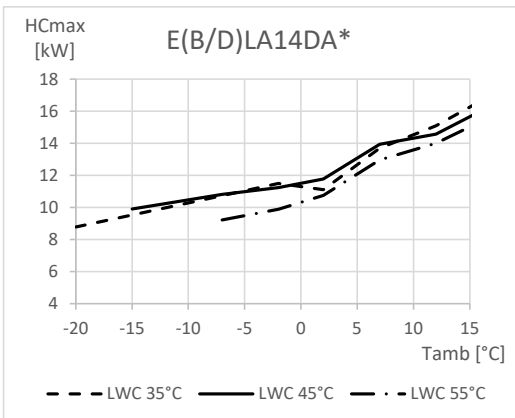
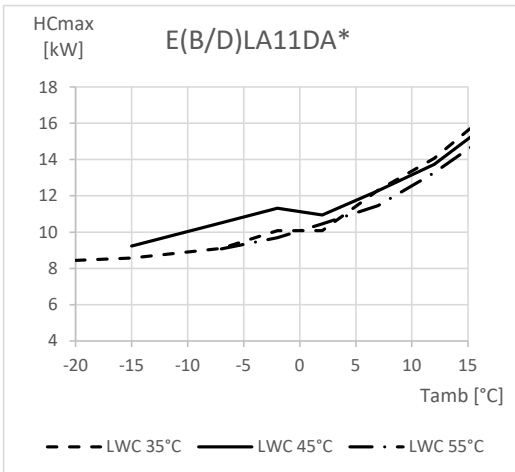
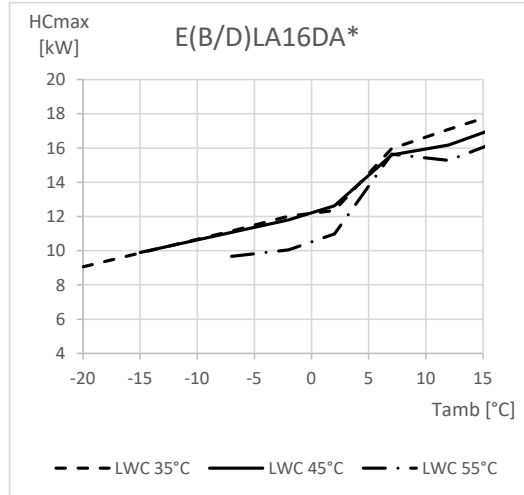
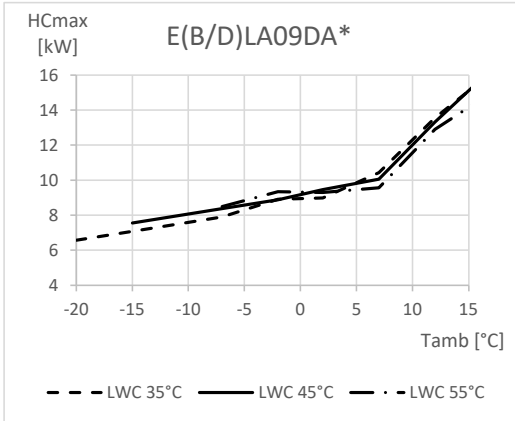
5 Capacity graphs

5 - 2 Heating Capacity Graphs

5

E(B-D)LA09-16DV3_DW1
E(B-D)LA09-16D3V3_D3W1

Maximum heating capacity - integrated value



Symbols
 HC_{max} Heating capacity for maximum load, measured according to EN 14511
 LWC Leaving water condensor temperature [°C]
 Tamb Ambient temperature [°C DB]

Conditions
Heating capacity
 Capacity according to standard EN 14511 and valid for heated water range ΔT = 3~8°C.

Notes
 The capacity and power input is valid for ·V3· models at ·230·V and for for ·W1· models at ·400·V.
 The capacity and the power input are at maximum operation.

4D128951B

6 Capacity tables

6 - 1 Certification Programs

E(B-D)LA09-16DV3_DW1 E(B-D)LA09-16D3V3_D3W1

Rated data for certification programmes - heating mode

Tamb [°C]	EWC [°C]	LWC [°C]	E(B/D)LA09DA(V3/3V3)		E(B/D)LA11DA(V3/3V3)		E(B/D)LA14DA(V3/3V3)		E(B/D)LA16DA(V3/3V3)		E(B/D)LA09DA(W1/3W1)		E(B/D)LA11DA(W1/3W1)		E(B/D)LA14DA(W1/3W1)		E(B/D)LA16DA(W1/3W1)		Used for:
			HC [kW]	COP [-]	HC [kW]	COP [-]	HC [kW]	COP [-]	HC [kW]	COP [-]	HC [kW]	COP [-]	HC [kW]	COP [-]	HC [kW]	COP [-]	HC [kW]	COP [-]	
10/9	30	35	9,20	5,32	9,20	5,32	9,20	5,32	9,20	5,32	9,20	5,32	9,20	5,32	9,20	5,32	9,20	5,32	BAFA
7/6	30	35	9,37	4,91	10,56	4,83	12,00	4,87	16,00	4,53	9,37	4,91	10,56	4,83	12,00	4,87	16,00	4,53	Keymark, EHPA, BAFA, GET
2/1	(30)	35	7,64	3,79	9,00	3,65	10,80	3,50	12,00	3,30	7,64	3,79	9,00	3,65	10,80	3,50	12,00	3,30	EHPA, GET
2/1	(30)	35	6,29	4,01	6,29	4,01	6,29	4,01	6,29	4,01	6,29	4,01	6,29	4,01	6,29	4,01	6,29	4,01	BAFA
-7/-8	(30)	35	8,00	2,81	8,75	2,92	9,30	2,86	10,60	2,70	8,00	2,81	8,75	2,92	10,50	3,00	12,30	2,87	EHPA, BAFA, GET
7/6	40	45	9,00	3,71	9,82	3,66	12,45	3,64	16,00	3,51	9,00	3,71	9,82	3,66	12,45	3,64	16,00	3,51	EHPA
-2/-3	(40)	45	9,00	2,35	10,86	2,35	11,30	2,30	12,00	2,30	9,00	2,35	10,86	2,35	12,37	2,58	13,93	2,46	MCS
-7/-8	(40)	45	7,76	2,22	8,72	2,35	8,98	2,29	10,49	2,10	7,76	2,22	8,72	2,35	8,98	2,29	10,49	2,10	EHPA
7/6	47	55	9,57	2,91	10,64	2,94	11,87	2,89	15,63	2,75	9,57	2,91	10,64	2,94	11,87	2,89	15,63	2,75	Keymark, EHPA, GET
-7/-8	47	55	7,13	1,80	7,89	1,82	8,47	1,82	8,87	1,78	7,13	1,80	7,89	1,82	8,47	1,82	8,87	1,78	GET, EHPA

Rated data for certification programmes - cooling mode

Nominal cooling capacity											Used for:	
Tamb [°C]	EWE [°C]	LWE [°C]	CC [kW]	EER [-]	CC [kW]	EER [-]	CC [kW]	EER [-]	CC [kW]	EER [-]		
35	23	18	9,10	5,34	11,51	5,31	12,68	5,04	15,33	4,74	General	DACI
35	12	7	9,35	3,35	11,59	3,26	12,82	3,16	14,01	3,06	Keymark	DAPT

Seasonal data - cooling		LWE 7°C			
		Application			
Pdes [kW]	SEER [-]	EBLA09DA(3)(V3/W1)	EBLA11DA(3)(V3/W1)	EBLA14DA(3)(V3/W1)	EBLA16DA(3)(V3/W1)
		9,3	11,5	12,8	14,000
		5,62	5,79	5,71	5,59
$\eta_{s,c}$ [-]		222	229	226	221
$Q_{s,c}$ [kWh/annum]		993	1190	1340	1500

Rated data for certification programmes - standby power consumption

Standby power input	[W]	E(B/D)LA(09/11/14/16)DA(3)(V3/W1)	Used for:
		23	I_{aux}

- Symbols
- HC Heating capacity measured according to EN 14511
 - CC Cooling capacity, measured according to EN 14511.
 - COP/EER Coefficient of Performance/Energy efficiency ratio according to EN 14511.
 - EWC Entering water condenser temperature [°C]
 - LWC Leaving water condenser temperature [°C]
 - EWE Entering water evaporator temperature [°C]
 - LWE Leaving water evaporator temperature [°C]
 - Tamb Ambient temperature [°C DB/WB]
 - Pdes Nominal capacity value at design temperature [kW]
 - SEER Seasonal energy efficiency ratio according to EN14825
 - $\eta_{s,c}$ Seasonal space cooling energy efficiency according to EN14825
 - $Q_{s,c}$ Annual energy consumption for cooling according to EN14825

Rated data for certification programmes - domestic hot water performance

Outdoor unit Domestic hot water tank Tapping pattern	E(B/D)LA(09/11/14/16)DA(3)V3		E(B/D)LA(09/11/14/16)DA(3)W1	
	EKHS(U)25003V3 XL	EKHS(U)30003V3 XL	EKHS(U)25003V3 XL	EKHS(U)30003V3 XL
Application	Average climate (design temperature: 7°C)			
COP_{DHW}	2,51	2,73	2,69	2,87
η_{wh}	102,9%	112,0%	110,1%	117,5%
AEC	1628	1495	1521	1426
Application	Colder climate (design temperature: 2°C)			
COP_{DHW}	2,04	2,24	2,20	2,35
η_{wh}	83,3%	91,8%	89,8%	96,1%
AEC	2011	1826	1865	1744
Application	Warmer climate (design temperature: 14°C)			
COP_{DHW}	2,96	3,23	3,12	3,40
η_{wh}	121,8%	132,9%	128,0%	139,5%
AEC	1375	1261	1309	1200

- Symbols
- COP_{DHW} Domestic hot water COP according to EN16147.
 - η_{wh} η_{wh} (Water heating energy efficiency)
 - AEC Annual energy consumption [kWh]

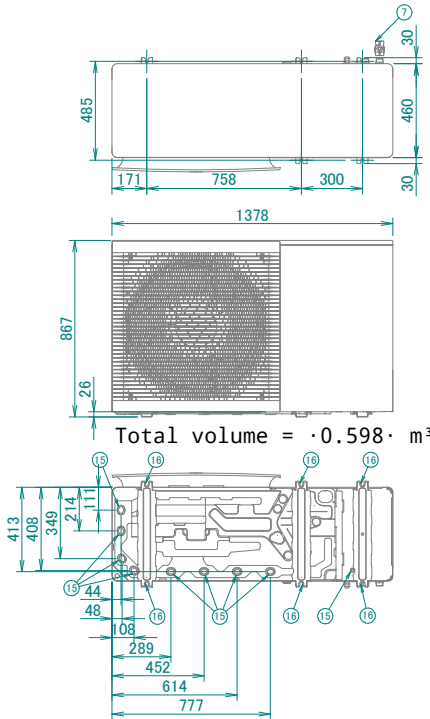
3D130658B

7 Dimensional drawings

7 - 1 Dimensional Drawings

7

EBLA09-16(DW1-DV3) / EDLA09-16(DW1-DV3)

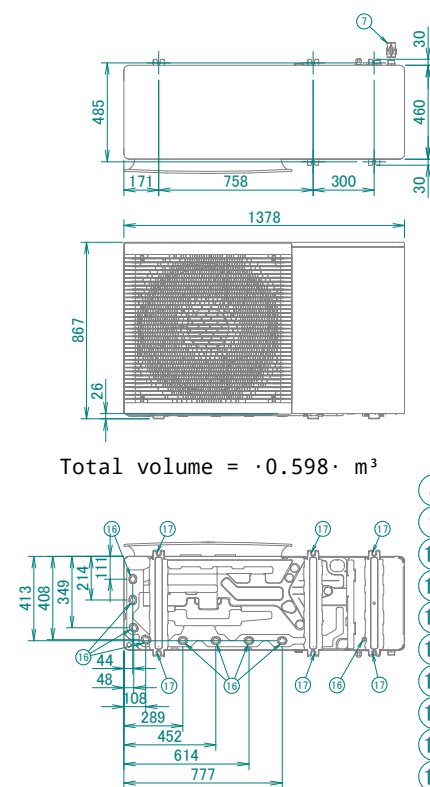


- ① Water in connection ·1"·
- ② Water out connection ·1"·
- ③ Wiring intake (low voltage wiring)
- ④ Wiring intake (high voltage wiring)
- ⑤ Wiring intake (power supply)
- ⑥ Backup heater power supply
- ⑦ Shut-off valve / filter (included accessory)

- ⑧ Drain valve water circuit
- ⑨ Flow sensor
- ⑩ Expansion vessel
- ⑪ Space heating water pressure sensor
- ⑫ Safety valve
- ⑬ Manual air purge valve
- ⑭ Pump
- ⑮ Drain outlet
- ⑯ ·6· holes for anchor bolts

3D129505A

EBLA09-16(3DW1-3DV3) / EDLA09-16(3DW1-3DV3)



- ① Water in connection ·1"·
- ② Water out connection ·1"·
- ③ Wiring intake (low voltage wiring)
- ④ Wiring intake (high voltage wiring)
- ⑤ Wiring intake (power supply)
- ⑥ Backup heater power supply
- ⑦ Shut-off valve / filter (included accessory)

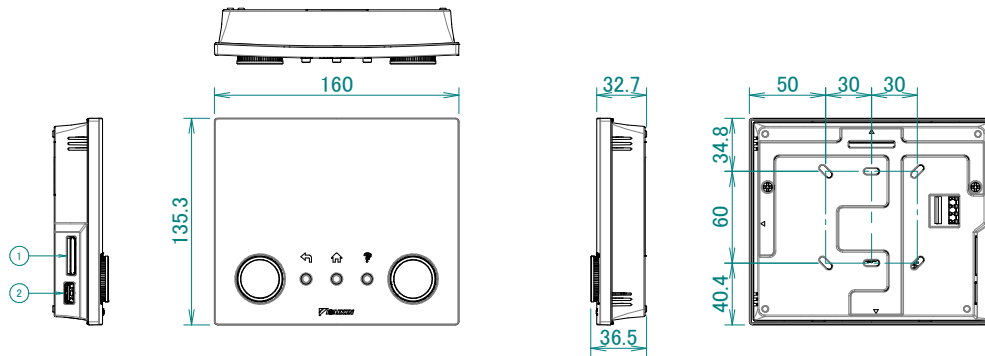
- ⑧ Drain valve water circuit
- ⑨ Flow sensor
- ⑩ Expansion vessel
- ⑪ Backup heater
- ⑫ Automatic air purge valve
- ⑬ Space heating water pressure sensor
- ⑭ Safety valve
- ⑮ Pump
- ⑯ Drain outlet
- ⑰ ·6· holes for anchor bolts

3D128950A

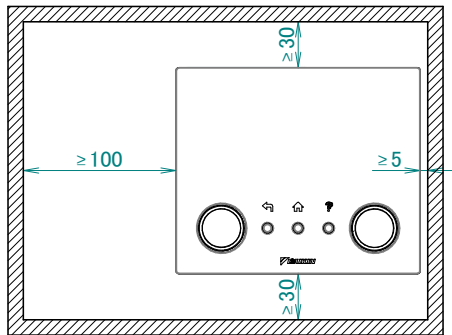
7 Dimensional drawings

7 - 1 Dimensional Drawings

E(B-D)LA09-16DV3_DW1
E(B-D)LA09-16D3V3_D3W1



Required installation space



- ① USB Connector
- ② WLAN cartridge

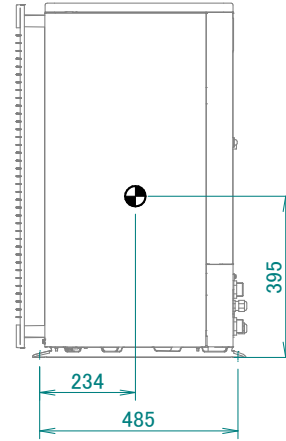
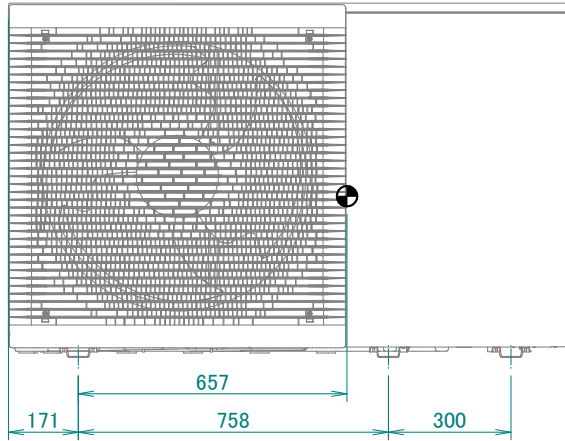
3D132732

8 Centre of gravity

8 - 1 Centre of Gravity

EBLA09-16(DW1-DV3) / EBLA09-16(3DW1-3DV3) / EDLA09-16(DW1-DV3) / EDLA09-16(3DW1-3DV3)

8

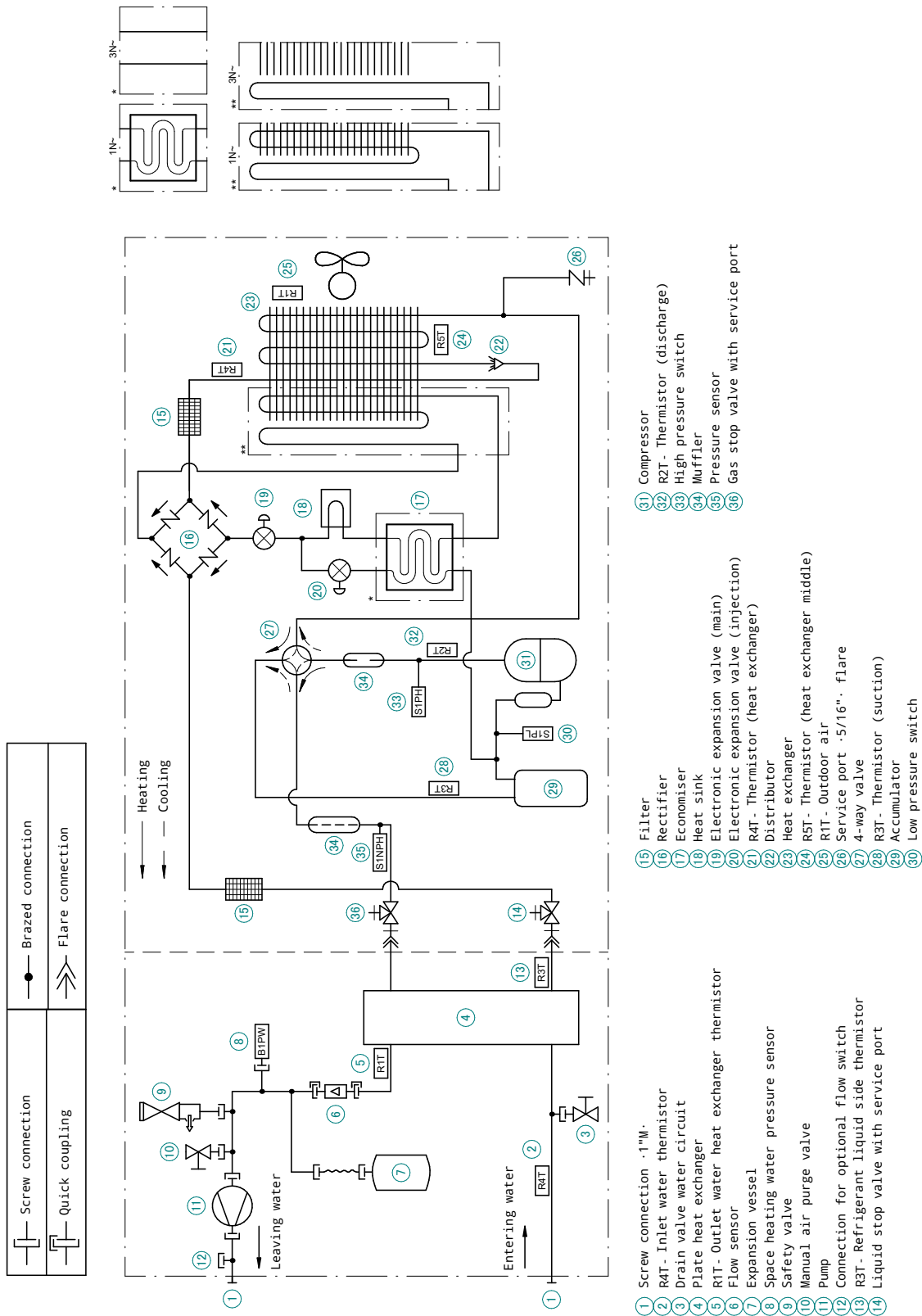


4D128956

9 Piping diagrams

9 - 1 Piping Diagrams

EBLA09-16(DW1-DV3) / EDLA09-16(DW1-DV3)

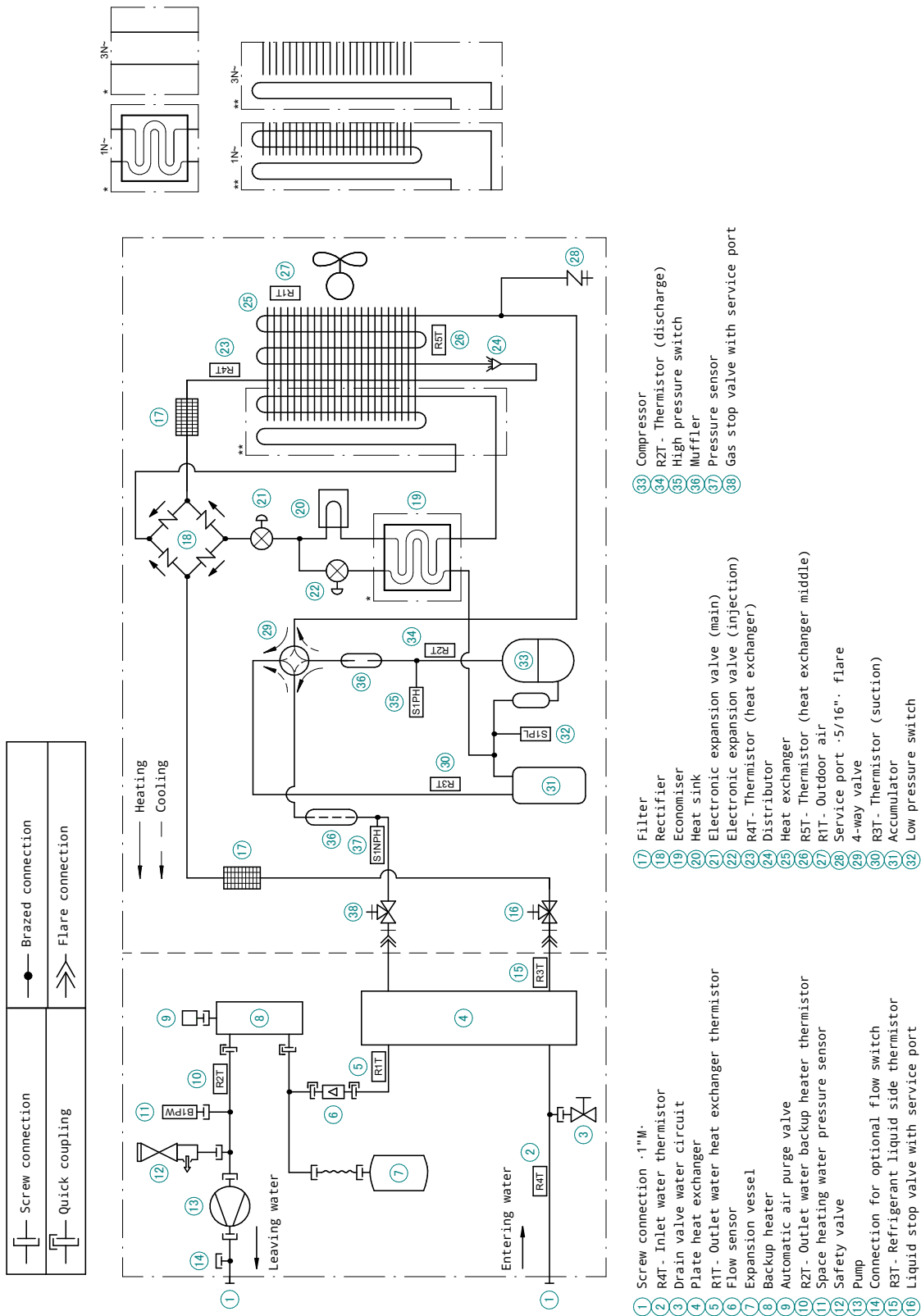


3D128954A

9 Piping diagrams

9 - 1 Piping Diagrams

EBLA09-16(3DW1-3DV3) / EDLA09-16(3DW1-3DV3)



3D128953A

10 Wiring diagrams

10 - 1 Notes & Legend

EBLA09-16(DW1-DV3) / EBLA09-16(3DW1-3DV3) / EDLA09-16(DW1-DV3) / EDLA09-16(3DW1-3DV3)

(2) Notes

- X14M, X15M : Main terminal
- : Earth wiring
- 15 : Wire number 15
- - - : Field supply

① : Several wiring possibilities

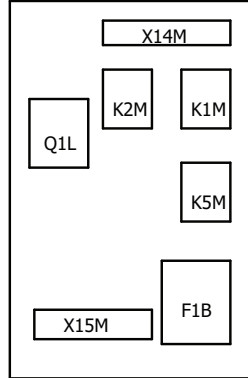
 : Option

 : Wiring depending on model

 : switch box

 : PCB

(3) BUH kit switch box



EKLBUHCB6W1

(4) Legend

Part n°	Description
E1H	BUH element (1kW)
E2H	BUH element (2kW)
F1B	Overcurrent fuse BUH
F1T	Thermal fuse BUH
F1U	Fuse
K1M	Contacteur BUH (Step 1)
K2M	Contacteur BUH (Step 2)
K5M	Safety contacteur BUH
Q3DI	# Earth leakage circuit breaker
Q1L	Thermal protector BUH
R2T	Outlet BUH thermistor
X*M	Terminal strip

: field supply

Optional backup heater configuration: (only for EKLBUHCB6W1)

- 1N~, 230V, 3kW or 6kW
- 3N~, 400V, 6kW or 9kW

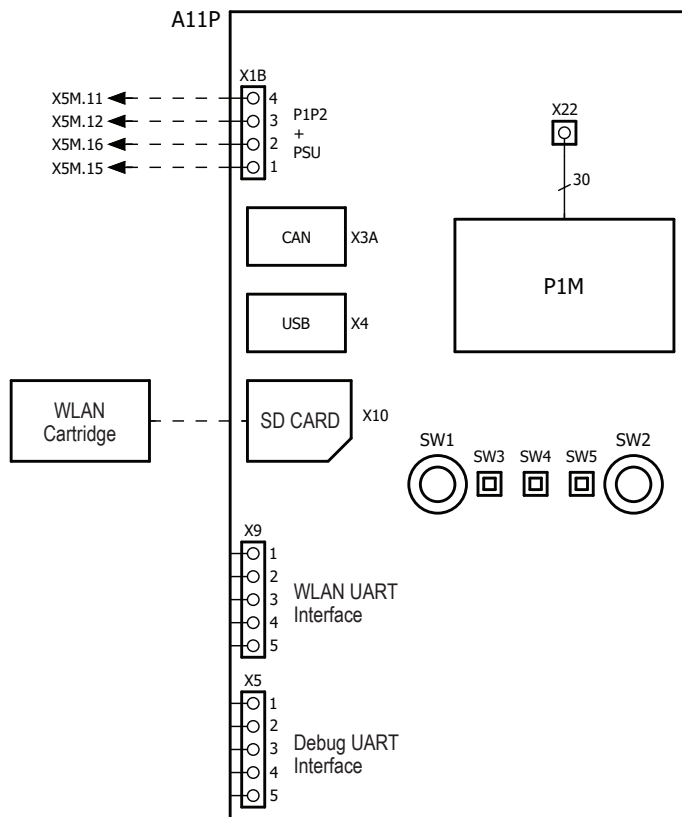
4D124072B

10 Wiring diagrams

10 - 2 Control Circuit

10

EBLA09-16(DW1-DV3) / EBLA09-16(3DW1-3DV3) / EDLA09-16(DW1-DV3) / EDLA09-16(3DW1-3DV3)







4D124072B

10 Wiring diagrams

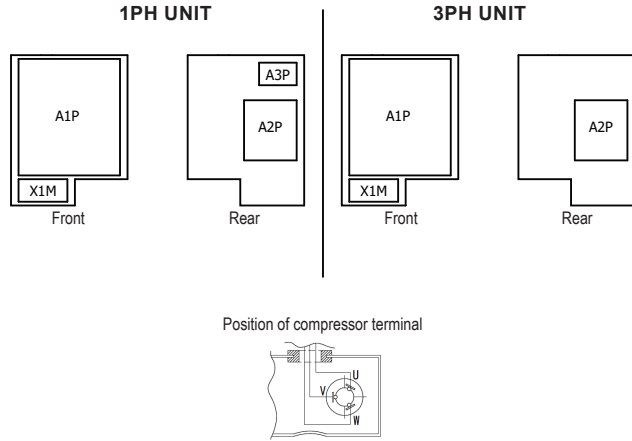
10 - 3 Compressor - Notes & Legend

EBLA09-16(DW1-DV3) / EBLA09-16(3DW1-3DV3) / EDLA09-16(DW1-DV3) / EDLA09-16(3DW1-3DV3)

NOTES to go through before starting the unit

- X1M : Main terminal
- : Earth wiring
- - - - - : Field supply
- ① : Several wiring possibilities
-  : Option
-  : Wiring depending on model
-  : Not mounted in switch box
-  : PCB

POSITION IN SWITCH BOX



NOTES

- Refer to the wiring diagram sticker (on the back of the front plate) for how to use the BS1~BS4 and DS1 switches.
- When operating, do not short-circuit protection device Q1, S1PH and S1PL.
- Refer to the combination table and the option manual for how to connect the wiring to X6A, X41A and X77A.
- Colours: BLK:black; RED:red; BLU:blue; WHT:white; GRN:green; BRN:brown; YLW:yellow; ORG:orange
- Confirm the method of setting the selector switches (DS1) by service manual. Factory setting of all switches: OFF

LEGEND

1PH UNIT	
Part n°	Description
A1P	Printed circuit board (main)
A2P	Printed circuit board (noise filter)
A3P	Printed circuit board (flash)
C* (A*P)	Capacitor
BS* (A1P)	Push-button switch
DS1 (A1P)	Dipswitch
F1U, F3U~F4U (A2P)	Fuse T 6.3 A 250 V
F2U (A2P)	Fuse T 56 A 250 V
F6U (A1P)	Fuse T 5 A 250 V
H1~7P (A1P)	Indication light emitting diode (service monitor is orange)
HAP (A1P)	Light emitting diode (service monitor is green)
K1R (A1P)	Magnetic relay (Y1S)
K10R (A1P)	Magnetic relay
K11M (A1P)	Magnetic relay (main)
K14~15R (A2P)	Magnetic relay
L*R (A1P)	Reactor
M1C	Compressor motor
M1F	Fan motor
PS (A1P)	Switching power supply
Q1	Thermal overcurrent protector
Q1DI	# Earth leakage circuit breaker (30mA)
R1~5 (A*P)	Resistor
R1T	Thermistor (air)
R2T	Thermistor (discharge)
R3T	Thermistor (suction)
R4T	Thermistor (distribution pipe)
R5T	Thermistor (heat exchanger middle)
R11T (A1P)	Thermistor (fin)
RC (A2P)	Signal receiver circuit
S1NPH	Pressure sensor
S1PH	High pressure switch
S1PL	Low pressure switch
TC (A2P)	Signal transmission circuit
V*D (A1P)	Diode
V1R (A1P)	Power module
V2R (A1P)	Diode module
V*T (A1P)	IGBT
X1M	Terminal strip
X*A, X*Y (A*P)	Connector
Y1E, Y3E	Electronic expansion valve
Y1S	Solenoid valve (4-way valve)
Z*C	Noise filter (ferrite core)
Z*F (A*P)	Noise filter

3PH UNIT	
Part n°	Description
A1P	Printed circuit board (main)
A2P	Printed circuit board (noise filter)
C* (A1P)	Capacitor
BS* (A1P)	Push-button switch
DS1 (A1P)	Dipswitch
F1U, F3U (A2P)	Fuse T 6.3 A 250 V
F4U, F5U (A2P)	Fuse T 30 A 500 V
F7U (A1P)	Fuse T 5 A 250 V
HAP (A1P)	Light emitting diode (service monitor is green)
K1R (A1P)	Magnetic relay (Y1S)
K5~8R (A1P)	Magnetic relay
K*M (A1P)	Magnetic relay (main)
L*R (A*P)	Reactor
M1C	Compressor motor
M1F	Fan motor
PS (A1P)	Switching power supply
Q1	Thermal overcurrent protector
Q1DI	# Earth leakage circuit breaker (30mA)
R1~9 (A1P)	Resistor
R1T	Thermistor (air)
R2T	Thermistor (discharge)
R3T	Thermistor (suction)
R4T	Thermistor (distribution pipe)
R5T	Thermistor (heat exchanger middle)
R11T (A1P)	Thermistor (fin)
RC (A1P)	Signal receiver circuit
S1NPH	Pressure sensor
S1PH	High pressure switch
S1PL	Low pressure switch
SEG* (A1P)	7-segment display
TC (A1P)	Signal transmission circuit
V*D (A1P)	Diode
V1~2R (A1P)	Diode module
V3~5R (A1P)	Power module
X1M	Terminal strip
X*A, X*Y (A*P)	Connector
Y1E, Y3E	Electronic expansion valve
Y1S	Solenoid valve (4-way valve)
Z*C	Noise filter (ferrite core)
Z*F (A*P)	Noise filter

* : optional

: field supply

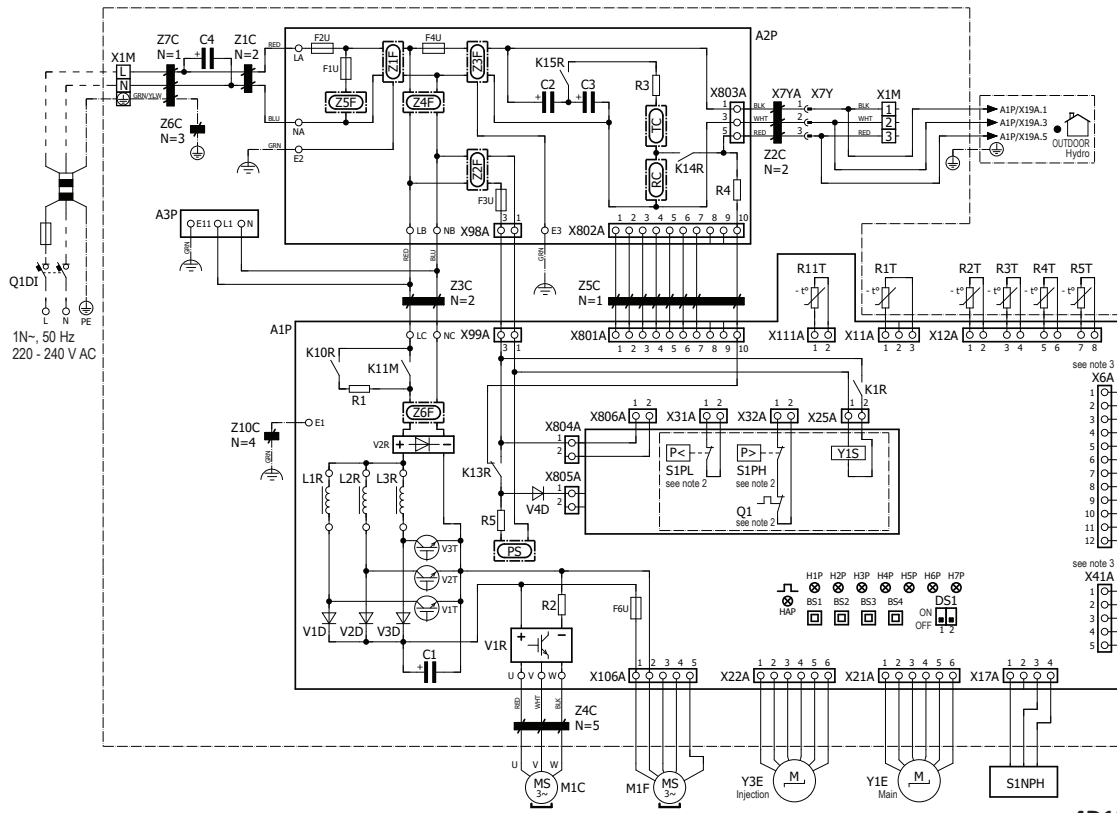
4D124072B

10 Wiring diagrams

10 - 4 Compressor - Single phase

10

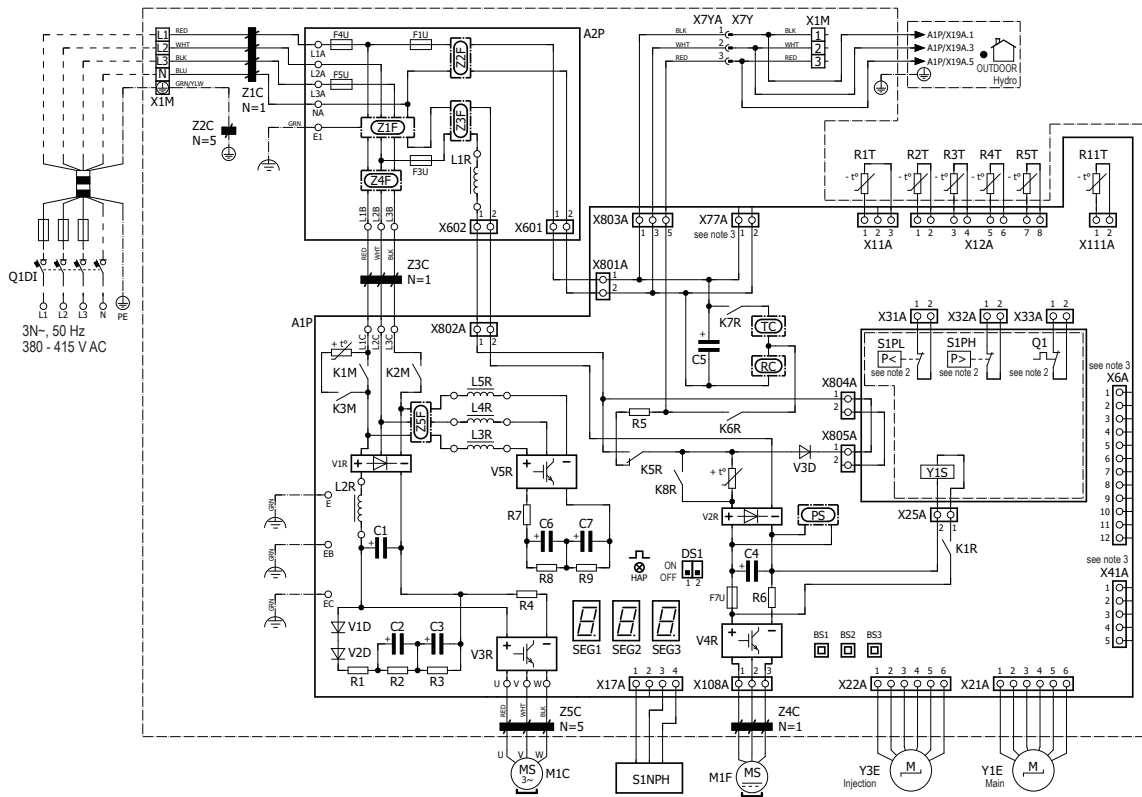
EBLA09-16(DW1-DV3) / EBLA09-16(3DW1-3DV3) / EDLA09-16(DW1-DV3) / EDLA09-16(3DW1-3DV3)



10 Wiring diagrams

10 - 5 Compressor - Three phase

EBLA09-16(DW1-DV3) / EBLA09-16(3DW1-3DV3) / EDLA09-16(DW1-DV3) / EDLA09-16(3DW1-3DV3)



4D124072B

OUTDOOR

10 Wiring diagrams

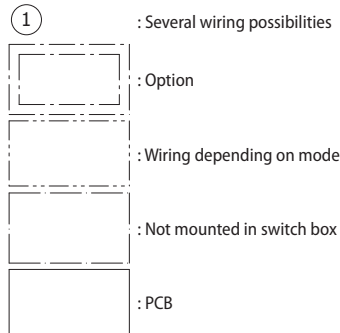
10 - 6 Hydro Module - Notes & Legend

10

EBLA09-16(DW1-DV3)
EBLA09-16(3DW1-3DV3)
EDLA09-16(DW1-DV3)
EDLA09-16(3DW1-3DV3)

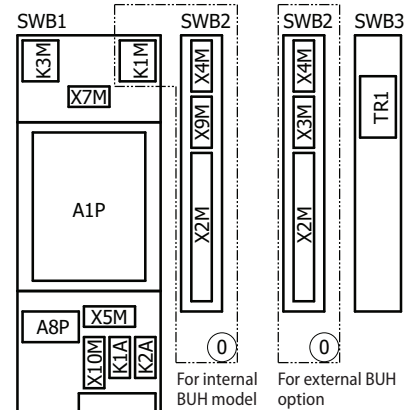
NOTES to go through before starting the unit

- X1M : Main terminal
- X2M : Field wiring terminal for AC
- X3M : External backup heater terminal
- X4M : Booster heater power supply terminal
- X5M : Field wiring terminal for DC
- X9M : Internal backup heater power supply terminal
- X10M : Smartgrid terminal
- _____ : Earth wiring
- - - - - : Field supply



- Backup heater power supply:
 - 3V (1N~, 230V, 3kW)
- User installed options:
 - Domestic hot water tank
 - External backup heater
 - Booster heater
 - Remote user interface
 - Ext. indoor thermistor
 - Ext. outdoor thermistor
 - Digital I/O PCB
 - Demand PCB
 - Smart grid
 - WLAN cartridge
 - Bypass kit
- Main LWT:
 - ON/OFF thermostat (wired)
 - ON/OFF thermostat (wireless)
 - Ext. thermistor
 - Heat pump convector
- Add LWT:
 - ON/OFF thermostat (wired)
 - ON/OFF thermostat (wireless)
 - Ext. thermistor
 - Heat pump convector

POSITION IN SWITCH BOX



NOTES

1. Connection point of the power supply for the backup heater & booster heater should be foreseen outside the unit.

LEGEND

Part n°	Description	Part n°	Description
A1P	main PCB	PHC1 (A4P)	* optocoupler input circuit
A2P	* ON/OFF thermostat (PC=power circuit)	Q1L	thermal protector backup heater
A3P	* heat pump convector	Q2L	* thermal protector booster heater
A4P	* digital I/O PCB	Q4L	# safety thermostat
A8P	* demand PCB	Q*DI	# earth leakage circuit breaker
A11P	MMI main PCB	R1H (A2P)	* humidity sensor
A14P	* user interface PCB	R1T (A1P)	outlet water heat exchanger thermistor
A15P	* receiver PCB (wireless ON/OFF thermostat)	R1T (A2P)	* ambient sensor On/OFF thermostat
B1L	flow sensor	R1T (A14P)	* ambient sensor user interface
B1PW	water pressure sensor	R2T (A1P)	internal BUH sensor
CN* (A4P)	* connector	R2T (A2P)	* external sensor (floor or ambient)
DS1 (A8P)	* dipswitch	R3T	refrigerant liquid side thermistor
E3H	backup heater element (3 kW)	R4T	inlet water thermistor
E5H	* booster heater element (2,4 kW)	R5T	* domestic hot water thermistor
E6H	PHE heater (50 W)	R6T	* external indoor or outdoor ambient thermistor
E7H	OP10 heater (33 W)	S1L	* flow switch
E8H	OP10 heater (50 W)	S1S	# preferential kWh rate PS contact
E9H	expansion vessel heater (50 W)	S*T	thermostat
E10H	expansion vessel flex heater (15,6 W)	S2S	# electrical meter pulse input 1
E11H, E12H	PHE heater IN/OUT (33 W)	S3S	# electrical meter pulse input 2
E*P (A9P)	indication LED	S4S	# smartgrid feed-in
F1B	# overcurrent fuse backup heater	S6S-S9S	* digital power limitation inputs
F1T	thermal fuse backup heater	S10S-S11S	# low voltage smartgrid contact
F2B	# overcurrent fuse booster heater	SS1 (A4P)	* selector switch
F2T	thermal fuse booster heater	SW1~2 (A11P)	turn buttons
F1U, F2U (A4P)	* fuse 5 A 250 V for digital I/O PCB	SW3~5 (A11P)	push button
FU1 (A1P)	fuse T 5 A 250 V for PCB	TR1	power supply transformer
K1A, K2A	* high voltage smartgrid relay	X4M	* booster heater power supply terminal strip
K1M	contactor backup heater	X6M, X8M	# power supply terminal strip client
K3M	* contactor booster heater	X9M	backup heater power supply terminal strip
K*R (A1P-A4P)	relay on PCB	X10M	* smartgrid power supply terminal strip
M1P	main supply pump	X*, X*A, X*Y	connector
M2P	# domestic hot water pump	X*M	terminal strip
M2S	# 2 way valve for cooling mode	Z*C	noise filter (ferrite core)
M3S	* 3 way valve for floorheating /domestic hot water		
M4S	* valve kit		
P1M	MMI display		
PC (A15P)	* power circuit		

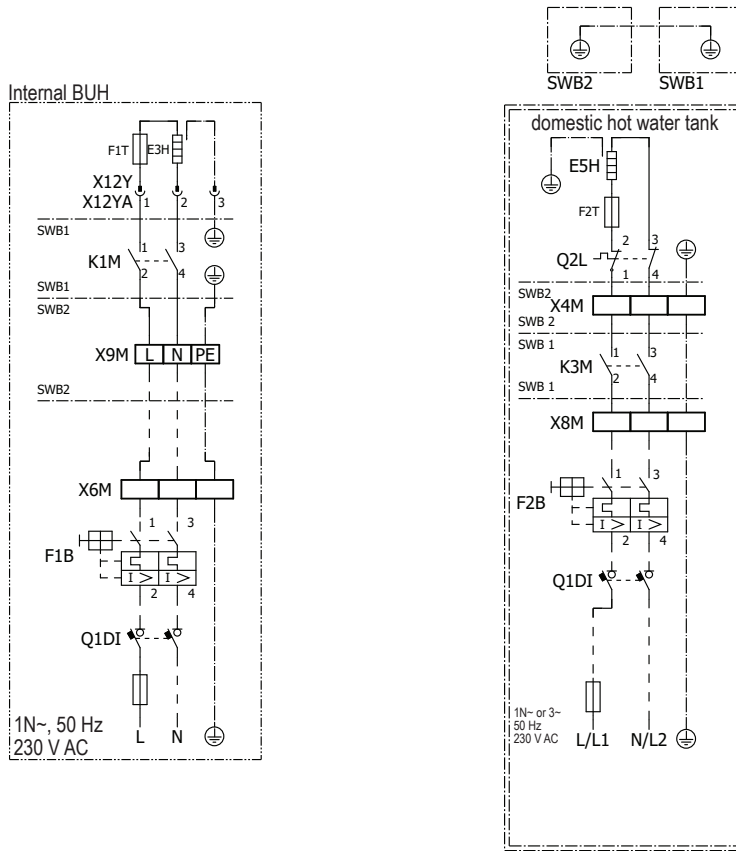
* : optional
 # : field supply

4D124072C

10 Wiring diagrams

10 - 7 Hydro Module - Power Supply, Back-up Heater

EBLA09-16(DW1-DV3) / EBLA09-16(3DW1-3DV3) / EDLA09-16(DW1-DV3) / EDLA09-16(3DW1-3DV3)



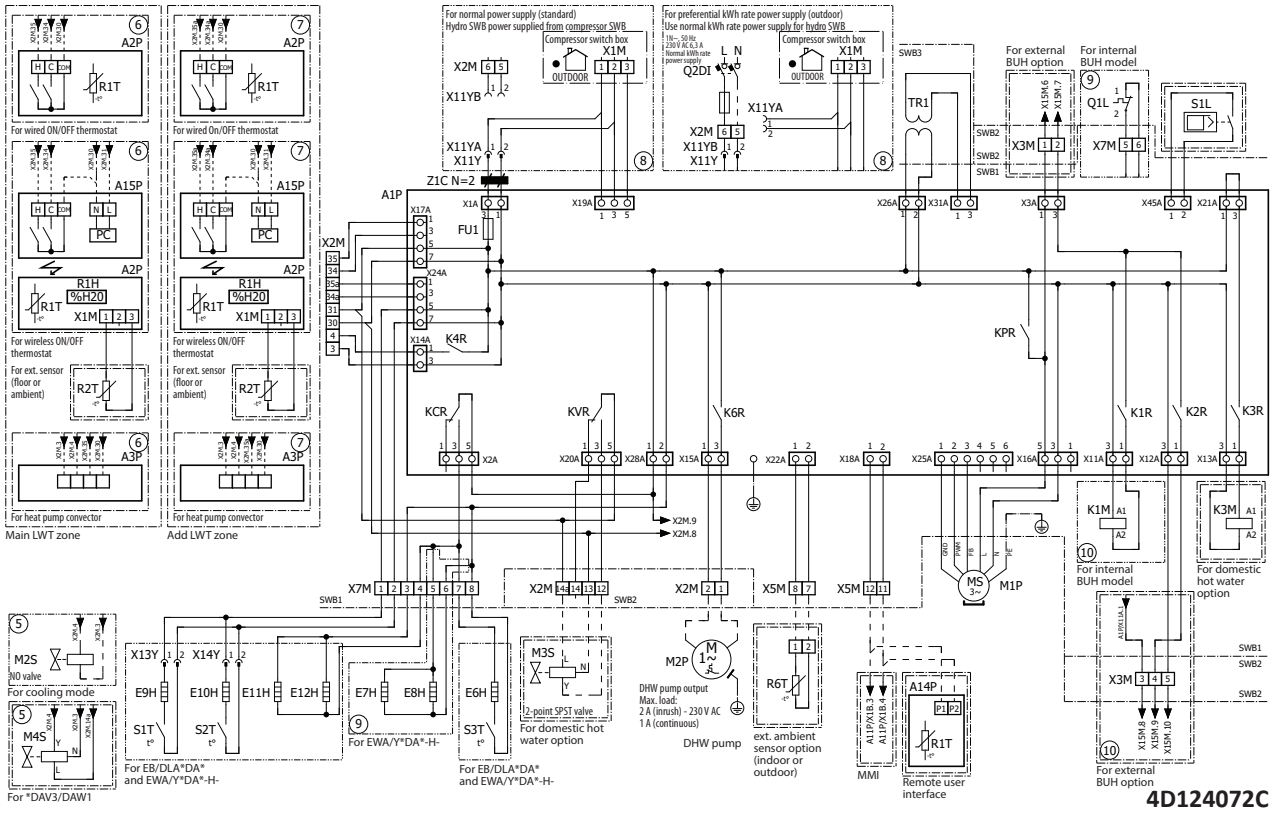
4D124072B

10 Wiring diagrams

10 - 8 Hydro Module - Control Circuit

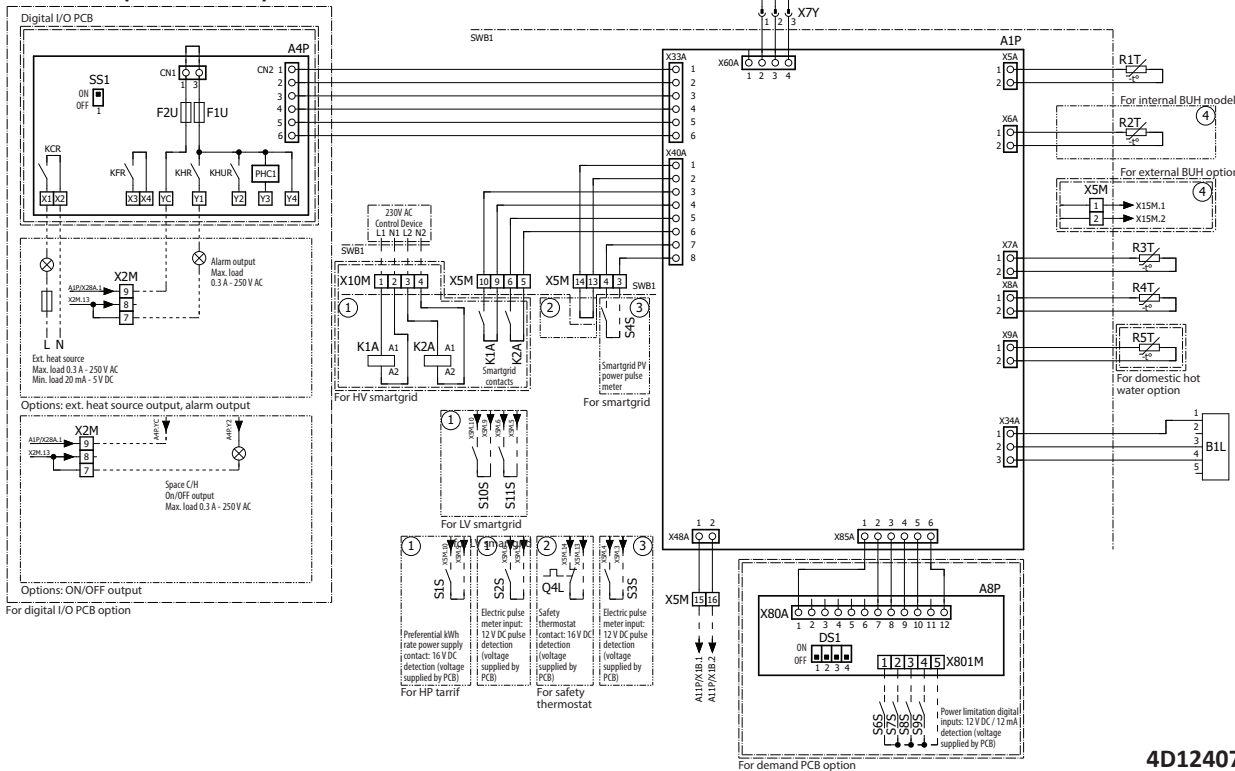
10

EBLA09-16(DW1-DV3) / EBLA09-16(3DW1-3DV3)
EDLA09-16(DW1-DV3) / EDLA09-16(3DW1-3DV3)



4D124072C

EBLA09-16(DW1-DV3)
EBLA09-16(3DW1-3DV3)
EDLA09-16(DW1-DV3)
EDLA09-16(3DW1-3DV3)

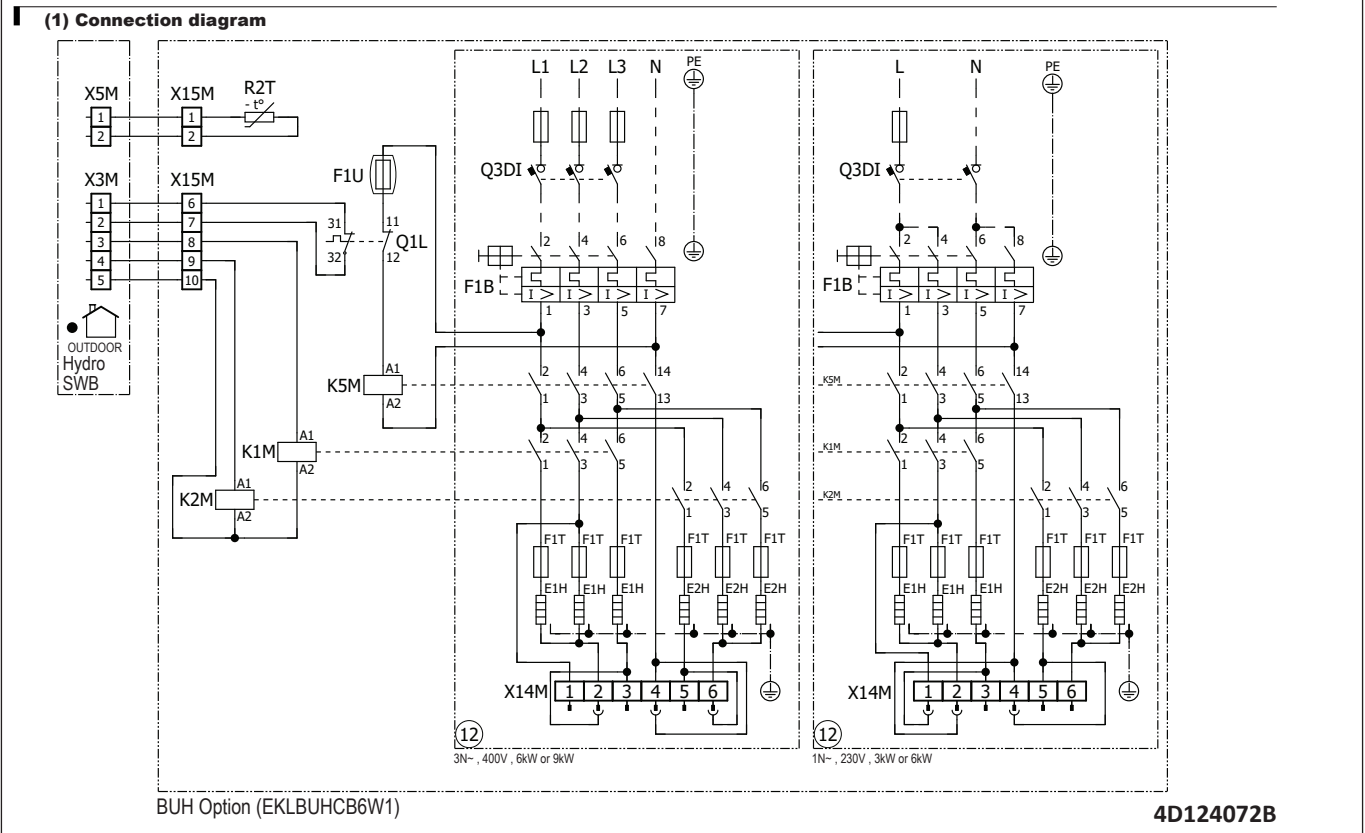


4D124072C

10 Wiring diagrams

10 - 9 External back-up heater - Option Circuit

EBLA09-16(DW1-DV3) / EBLA09-16(3DW1-3DV3) / EDLA09-16(DW1-DV3) / EDLA09-16(3DW1-3DV3)



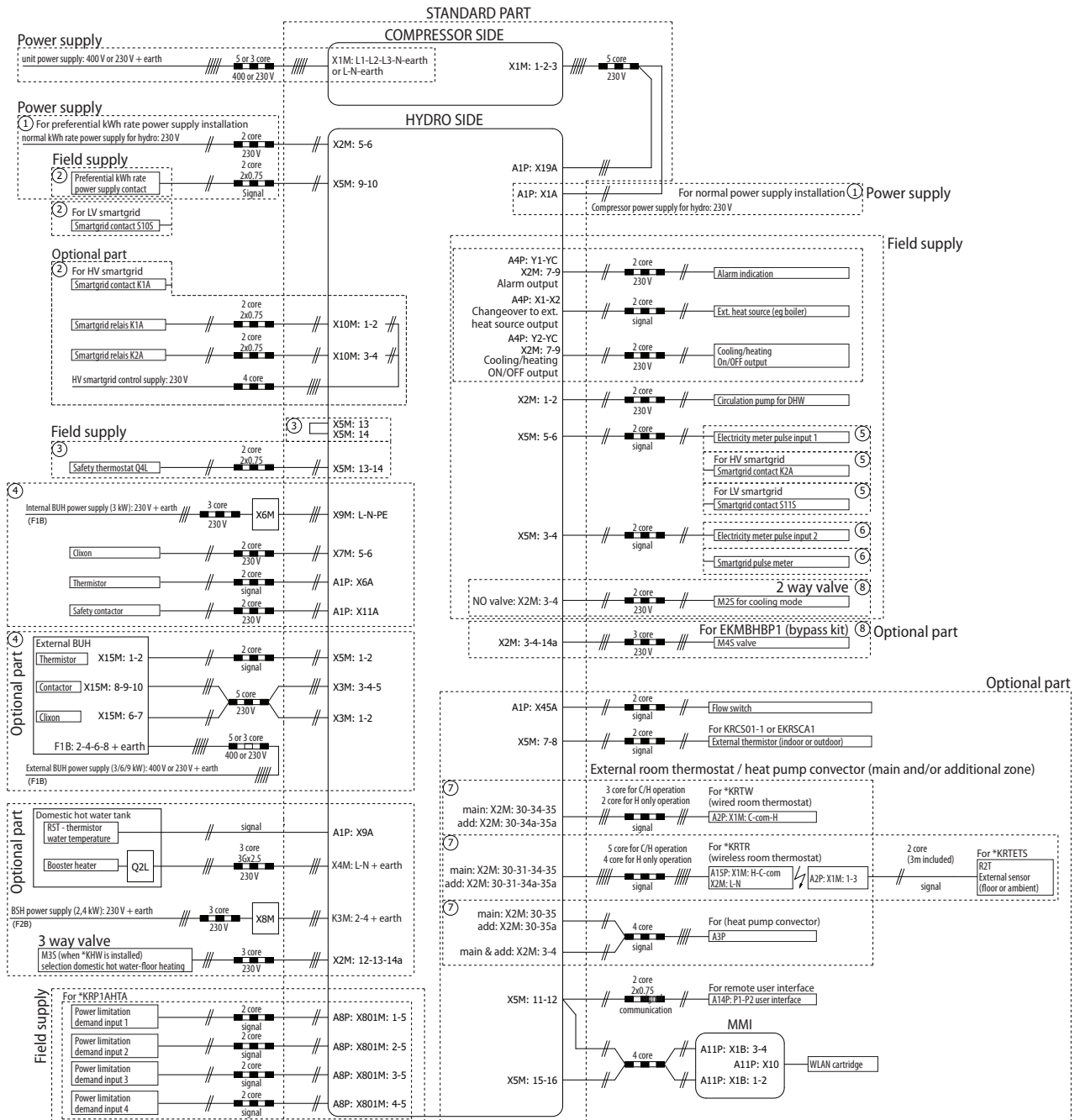
11 External connection diagrams

11 - 1 External Connection Diagrams

11

EBLA09-16(DW1-DV3)
EBLA09-16(3DW1-3DV3)
EDLA09-16(DW1-DV3)
EDLA09-16(3DW1-3DV3)

Electrical connection diagram Daikin Monobloc/Minichiller GQI TBM



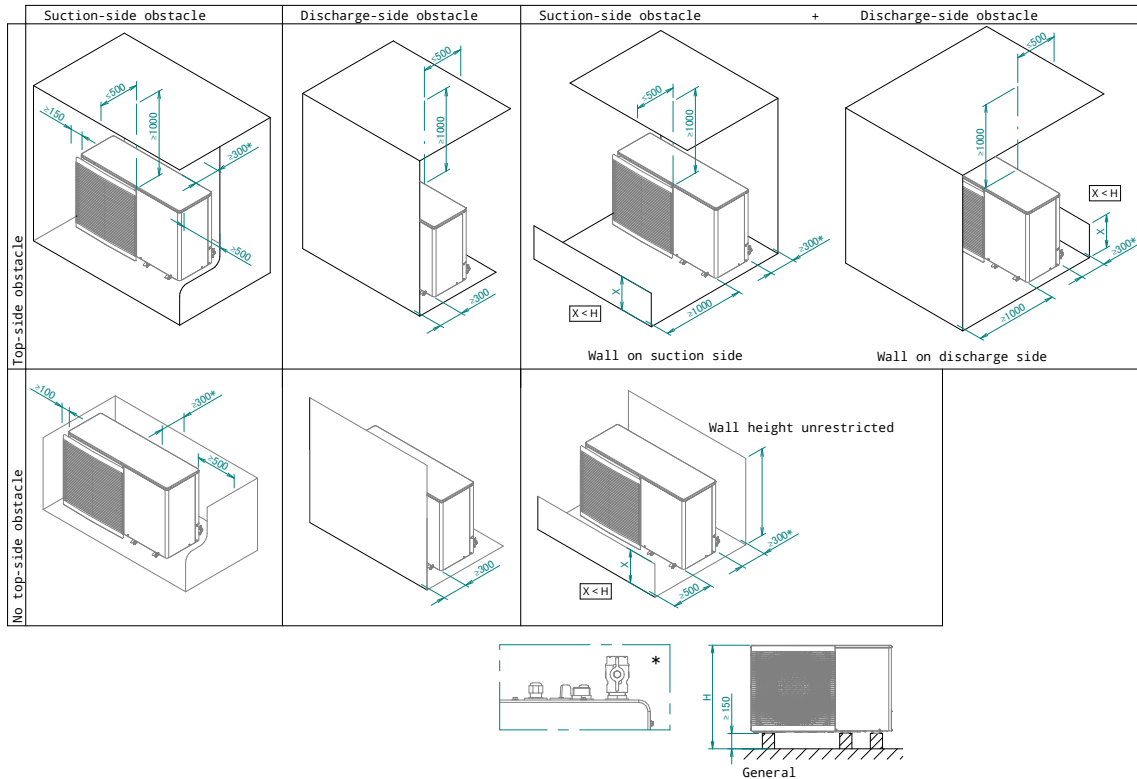
NOTE
 In case of signal cable: keep minimum distance to power cables > 5 cm
 For more details please check unit wiring

4D128841B

12 Installation

12 - 1 Installation Method

EBLA09-16(DW1-DV3) / EBLA09-16(3DW1-3DV3) / EDLA09-16(DW1-DV3) / EDLA09-16(3DW1-3DV3)



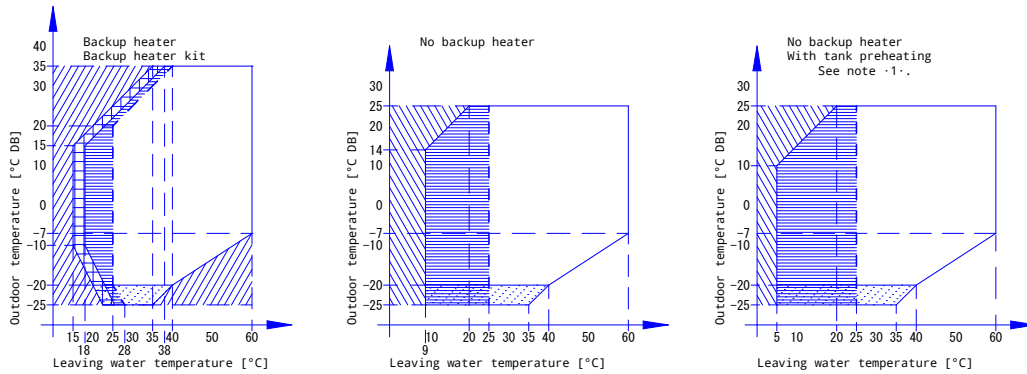
3D128957

13 Operation range

13 - 1 Operation Range

13

EBLA09-16(DW1-DV3) / EBLA09-16(3DW1-3DV3) / EDLA09-16(DW1-DV3) / EDLA09-16(3DW1-3DV3)



Legend

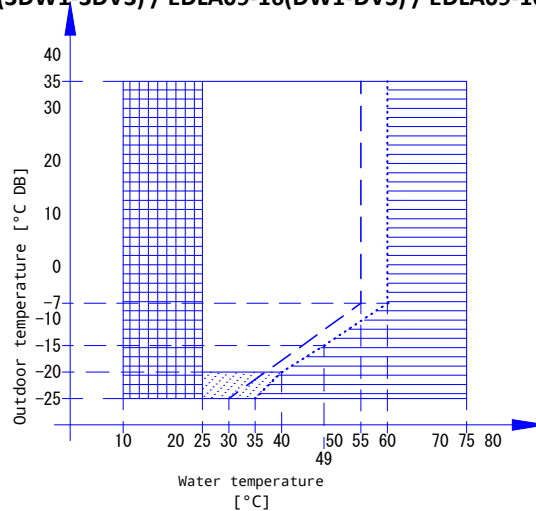
- Backup heater only operation
No outdoor unit operation
- Heat pump + backup heater operation
Pull-up area
- Outdoor unit operation if controller setpoint is regulated to minimal leaving water temperature request.
See dashed lines
- Operation of outdoor unit possible, but with possible capacity reduction.
- Circulation pump operation only

Notes

1. Tank preheating
For details, see the installer reference guide.
2. If negative ambient temperatures are expected, both in operation or at standstill, take adequate countermeasures against freezing.
For more information, refer to the installation manual.
3. In restricted power supply mode, the outdoor unit and backup heater can only operate separately.

3D130723

EBLA09-16(DW1-DV3) / EBLA09-16(3DW1-3DV3) / EDLA09-16(DW1-DV3) / EDLA09-16(3DW1-3DV3)



Legend

- Setpoint [°C]
Domestic hot water
- Leaving water temperature [°C]
- Pull-up area
- Operation of outdoor unit possible, but with possible capacity reduction.
- Booster heater only operation (if a booster heater is part of the system)

Notes

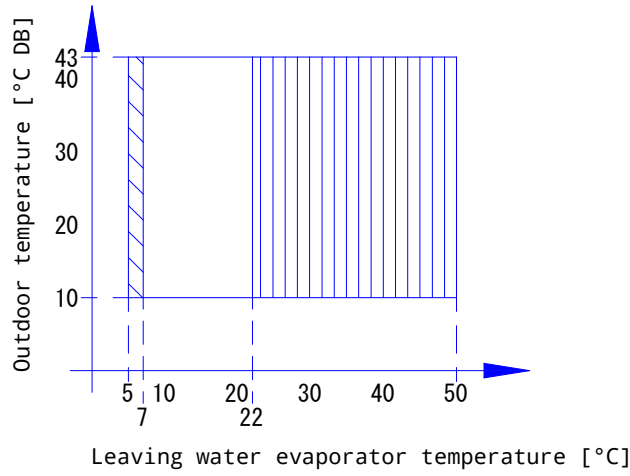
1. In restricted power supply mode (EKHW* only), the outdoor unit, booster heater and backup heater can only operate separately.
2. Third-party with identical specifications as EKHW*.
Coil surface > 1.05·m² and < 3.7·m²
Tank thermistor and booster heater above heat pump coil.
3. If negative ambient temperatures are expected, both in operation or at standstill, take adequate countermeasures against freezing.
For more information, refer to the installation manual.

3D120989

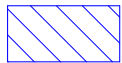
13 Operation range

13 - 1 Operation Range

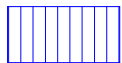
EBLA09-16(DW1-DV3) / EBLA09-16(3DW1-3DV3)



Legend



In case valve kit ·AFVALVE1· is part of the system, then the minimum setpoint is ·7·°C.



Pull-down area

Notes

- For more information, refer to the installation manual.
If negative ambient temperatures are expected, both in operation or at standstill, take adequate countermeasures against freezing.

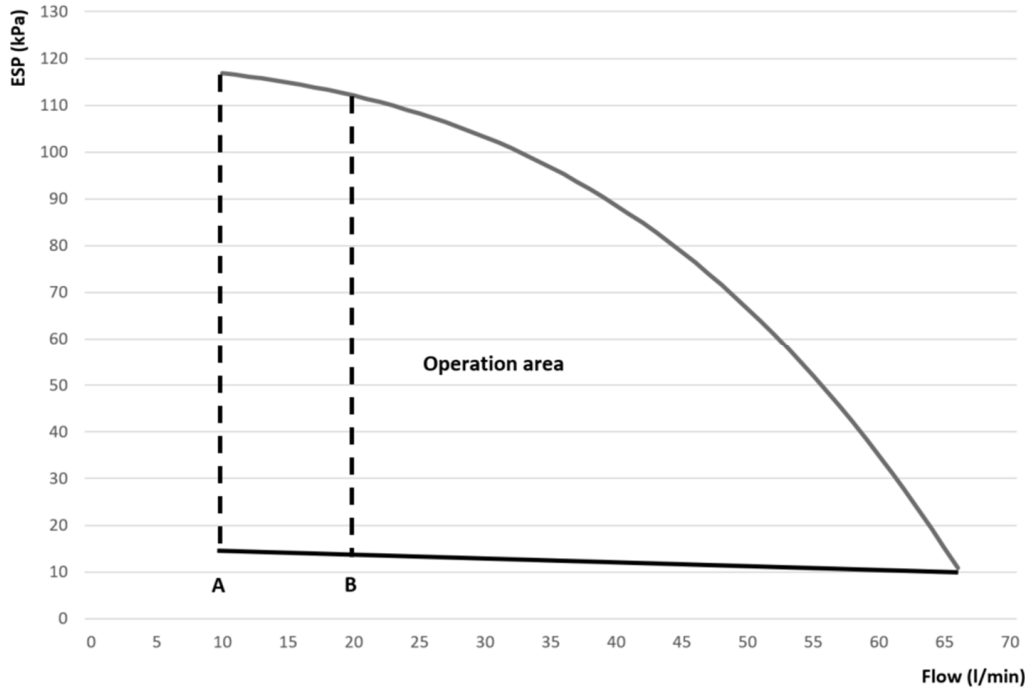
3D130999

14 Hydraulic performance

14 - 1 Static Pressure Drop Unit

14

EBLA09-16(DW1-DV3) / EDLA09-16(DW1-DV3)



ESP = External static pressure [kPa] Space heating/cooling circuit
 Flow = Water/glycol flow through the unit Space heating/cooling circuit

A = Minimum water flow rate during normal operation
 B = Minimum water flow rate during defrost operation

Notes

1. The operation area is extended to lower flow rates only in case the unit operates with heat pump only, and the temperature of the flow medium is sufficiently high.

This does not apply to start-up operation, defrost operation, and backup heater operation in case a backup heater is installed.

See dashed lines

2. The higher operation range limit is only valid if the flow medium is water. If glycol is added to the system, the limit is lower.
3. Selecting a flow outside the operating area can damage the unit or cause the unit to malfunction.

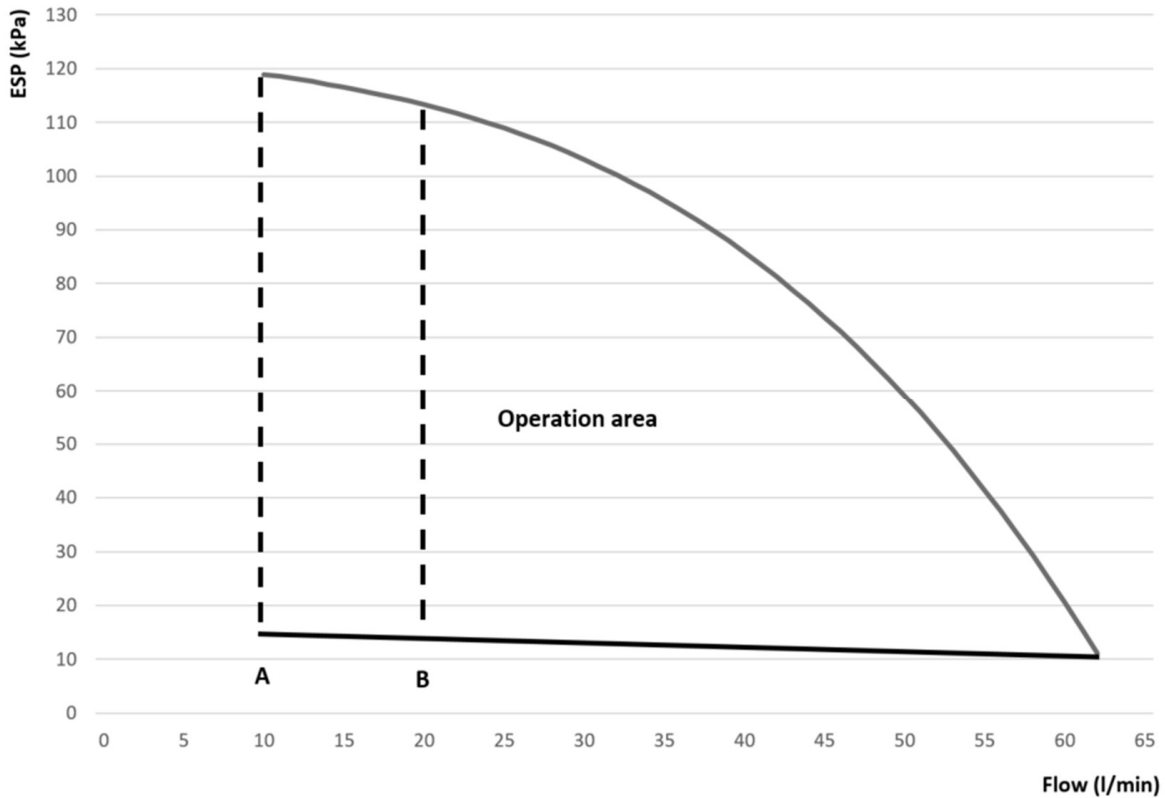
See also the minimum and maximum allowed water flow range in the technical specifications.

4D129632

14 Hydraulic performance

14 - 1 Static Pressure Drop Unit

EBLA09-16(3DW1-3DV3) / EDLA09-16(3DW1-3DV3)



ESP = External static pressure [kPa] Space heating/cooling circuit
 Flow = Water/glycol flow through the unit Space heating/cooling circuit

A = Minimum water flow rate during normal operation
 B = Minimum water flow rate during defrost operation

Notes

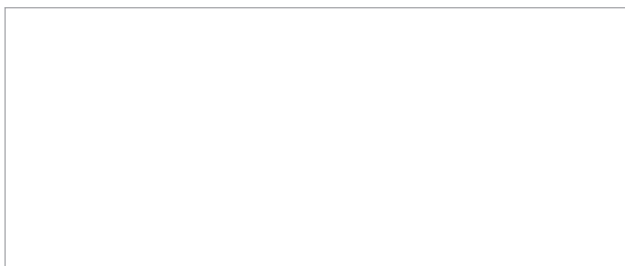
1. The operation area is extended to lower flow rates only in case the unit operates with heat pump only, and the temperature of the flow medium is sufficiently high.

This does not apply to start-up operation, defrost operation, and backup heater operation in case a backup heater is installed.

See dashed lines

2. The higher operation range limit is only valid if the flow medium is water. If glycol is added to the system, the limit is lower.
3. Selecting a flow outside the operating area can damage the unit or cause the unit to See also the minimum and maximum allowed water flow range in the technical specifications.

4D128961



EEDEN21

06/2021



The present leaflet is drawn up by way of information only and does not constitute an offer binding upon Daikin Europe N.V. Daikin Europe N.V. has compiled the content of this leaflet to the best of its knowledge. No express or implied warranty is given for the completeness, accuracy, reliability or fitness for particular purpose of its content and the products and services presented therein. Specifications are subject to change without prior notice. Daikin Europe N.V. explicitly rejects any liability for any direct or indirect damage, in the broadest sense, arising from or related to the use and/or interpretation of this leaflet. All content is copyrighted by Daikin Europe N.V.